



川源(中国)机械有限公司
GSD (China) Co.,Ltd.

DH(V) 单级双吸离心泵

DH(V) single-stage double suction centrifugal pump

DH(V) 单级双吸离心泵

DH(V) single-stage double suction centrifugal pump



简介 General description

DH(V)系列单级双吸离心泵，与其它类型的泵相比寿命长、效率高、结构合理、运行成本低、安装及维修方便。

DH(V) series split case pump is of single stage, double suction centrifugal pump. Compared with other type of pumps, it features long service life, high efficiency, advanced construction, low operation cost, friendly maintenance and service.

用途

DH(V)型泵适用于输送不含固体颗粒及温度不超过130°C的清洁液体。

- 暖通空调冷却水循环
- 工厂、矿山、城市给排水
- 电站、水利工程及农田灌溉
- 消防系统，船舶工业，石化行业

Application

Type DH(V) pump can be used to delivery clear liquids and should not contain solid grain at temperature below 130°C.

- Air-condition cold water circulation.
- Water supply and discharge in factories, mines, urban areas.
- Water supply in power plants, water-conservancy projects as well as irrigation and drainage of farmland.
- Fire system, ship industry and chemical & oil industry.

型号说明 Type description

DH(V) - 150 - 259 - 71 - O

"O"表示原型，即叶轮外径未经过切割，没有标注"O"表示原型叶轮经过切割

"O" means impeller not been trimmed, not marked means the original impeller has been trimmed

额定扬程
Rated head (m)

额定流量
Rated capacity (m³/h)

出口直径
Outlet diameter (mm)

DH单级双吸卧式离心泵
Single-stage, double-suction horizontal centrifugal pump

DV单级双吸立式离心泵
Single-stage, double-suction vertical centrifugal pump



主要零件材料表 Materials of main parts

No.	零件名称 Parts name	材质 Material			
		I	II	III	
1	泵壳 Casing	HT250	QT400-18		ZG230-450
2	轴 Shaft	45	30Cr13		30Cr13
3	叶轮 Impeller	HT250	ZCuSn10Zn2	ZCuZn16Si4	ZG03Cr19Ni11Mo2
4	轴套 Sealing shaft sleeve	45	30Cr13		022Cr17Ni12Mo2
5	泵体密封环 Case sealing ring	HT250	ZCuSn5Pb5Zn5	ZCuSn10Zn2	ZG03Cr19Ni11Mo2

可以根据用户要求选用其他材料 Other materials can be chosen by orders.

结构说明

DH(V)系列泵为单级双吸轴向中开蜗壳式离心泵，可以卧式或立式安装，卧式泵的电机可以根据需要放在泵的右端或左端。泵的吸入口和排出口均在泵轴线下方向呈水平方向。检修时只需打开泵盖，不用拆卸管路和电机，即可取出转子进行维修。

Description

DH(V)series pump is of single stage, double suction, axial split case, volute centriugal pump. Horizontal installation or vertical installation. Motor of horizontal pump can be installed in the left or in the right. Suction and discharge are horizontally below the pump shaft centreline. When maintenance or service is needed, just open the pump cover and take out the rotation parts for esay service without dismantle of pipeline and motor.

泵体

泵体的设计压力为1.6MPa和2.5MPa。为了满足世界各国的不同标准，泵的进出口法兰可按GB、ISO、DIN、ANSI及JIS等标准选取。泵的进出口法兰均在泵体上，维修时不用拆卸系统管路只需打开泵盖，即可取出转子进行维修。部分高扬程泵采用双蜗壳设计，以减小径向力，从而延长机封和轴承的使用寿命。

Pump casing

The design pressure of pump casing is 1.6 Mpa & 2.5Mpa. In order to meet with different flange standard, suction and discharge flanges can be in conformity with GB, ISO, DIN, ANSI and JIS. Suction & discharge are all set in the casing, so it is easy to maintenance the pump; just open the pump cover, and take out the rotation parts for service without dismantle of pipeline.

泵盖

采用加厚法兰，用较长预紧螺栓与泵体连接，中开面无泄漏。泵盖可以自动校正，便于安装维修。

Pump cover

Thicker flange of pump cover is fastened with pump casing by long bolts with advantages of no leakage. It is very convenient to conduct installation and maintenance work owing to the autocorrelation function of the pump cover.



叶轮

优秀水力设计软件设计的高效率双吸叶轮，叶轮进口面积大，进口无涡流，运转平稳，损耗低，噪声低，泵体和叶轮均可配密封环，延长叶轮的使用寿命。对叶轮进行动平衡，确保泵运行平稳，无振动。

轴

泵轴完全密封，不接触介质，无腐蚀，使用寿命长；轴径较粗，轴承间距离较短，无振动，从而增加轴的刚度，延长机械密封和轴承的使用寿命；转子部件装配时无需调整，应用碟形弹簧预应力装配，转子部件拆装方便。

轴承体

轴承体设有冷却腔，可以满足输送 $\leq 130^{\circ}\text{C}$ 的介质；卧式泵驱动端采用双列深沟球轴承，立式泵驱动端采用双列角接触轴承，承受泵的残余轴向力，保证泵运行平稳；采用油脂润滑，也可以采用封闭式轴承，轴承设计寿命在10万小时以上。

轴封

采用软填料密封或机械密封(非平衡型)，机封不受旋转方向限制。

Impeller

High-efficiency double suction impeller, stable operation, low energy cost, low noise, less vibration, and long service life. The pump casing and the impeller may be equipped with sealing rings so as to extend the service life of the impeller. Keep the impeller in dynamic balance to ensure stable vibration-free operation of the pump.

Shaft

The pump shaft is totally sealed, no contact with the pumping liquid. it features long service life and no corrosion. As its shaft diameter is large and the distance between bearings small, and there is no vibration in its operation, the rigidity of the shaft is increased, thus extending the service life of the mechanical seal and the bearing. When assembling the rotor components, no adjustment needs to be made; and it is very convenient to disassemble and assemble the rotor components with the prestressing force of the dish spring.

Bearing unit

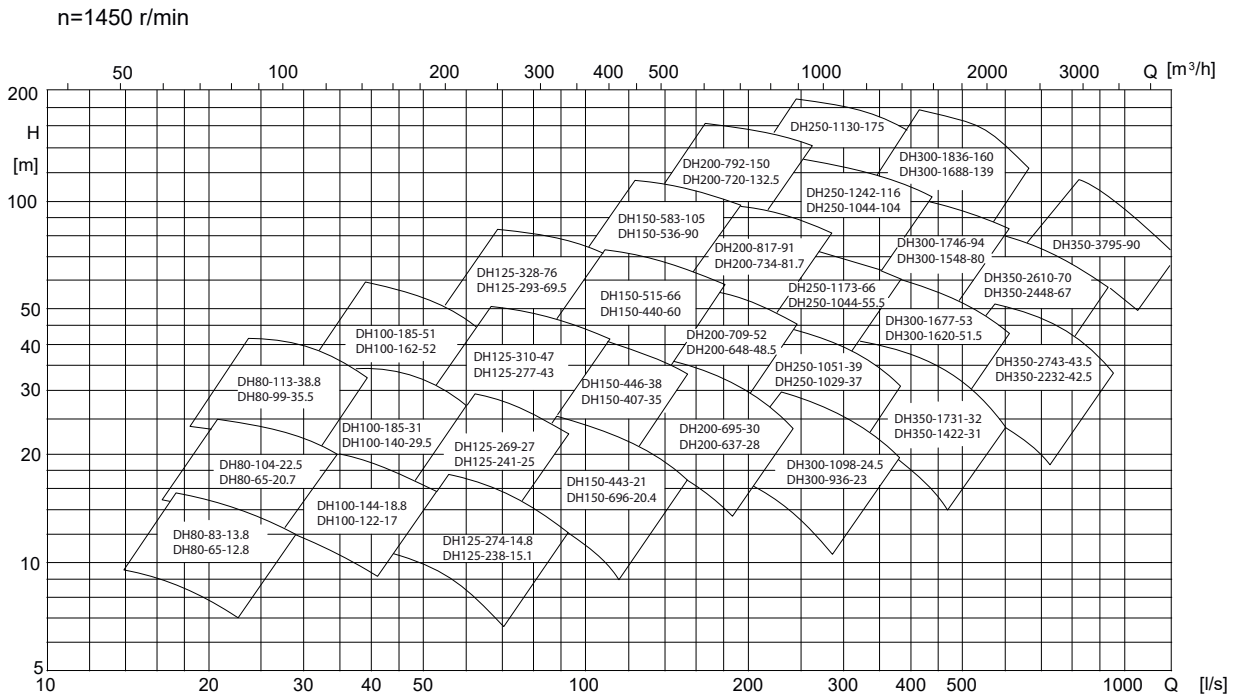
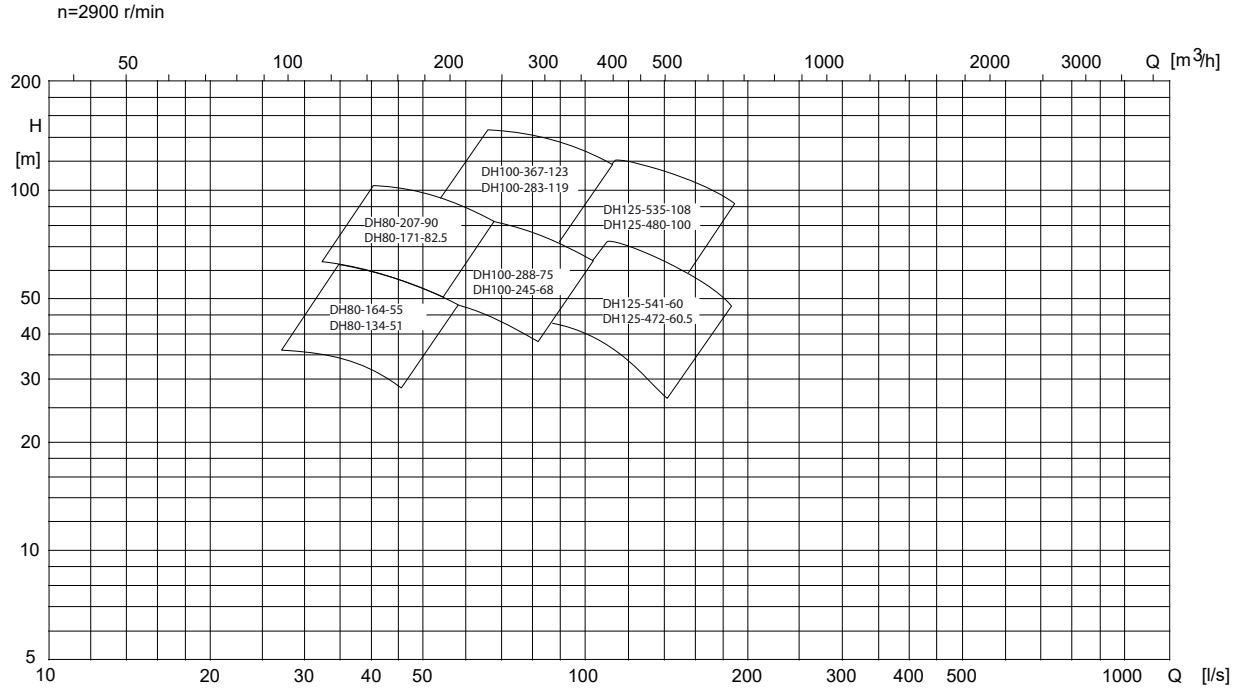
There is cooling chamber in the bearing unit to ensure Max. pumping temperature 130°C . The driving end of horizontal pump adopting double zanjon ball bearing, the driving end of vertical pump adopting double row angular contact ball bearings to bear remains of axial impact. Bearings are lubricated by grease. Totally-sealed bearing is an alternative option. the service life of bearings are over 100,000 hours.

Shaft seal

Soft packing seal or mechanical seal (non-balance type). No rotation direction limit of mechanical seal.



型谱图 Performance chart

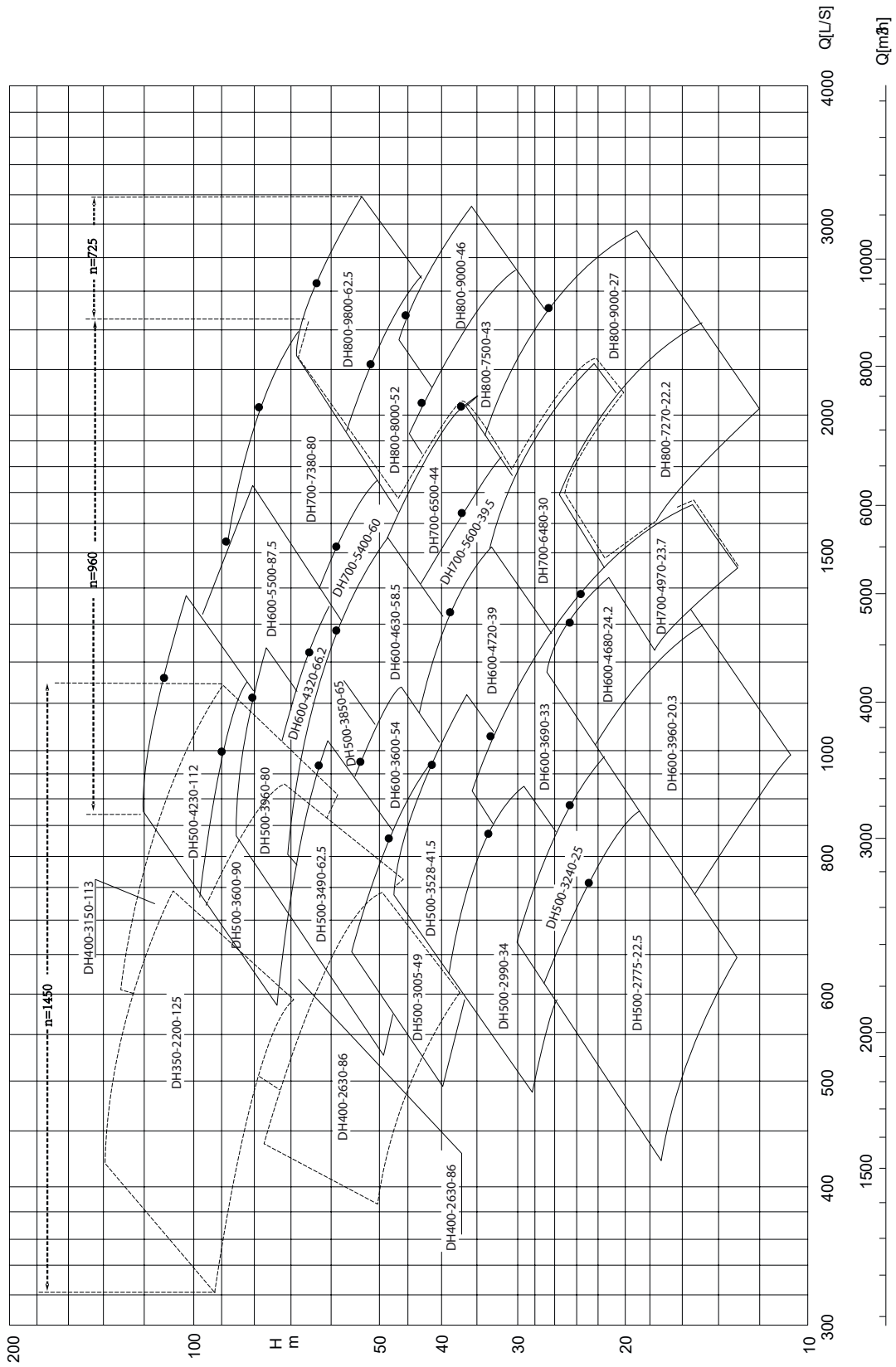


注：可根据要求设计及提供超出标准性能范围的产品。

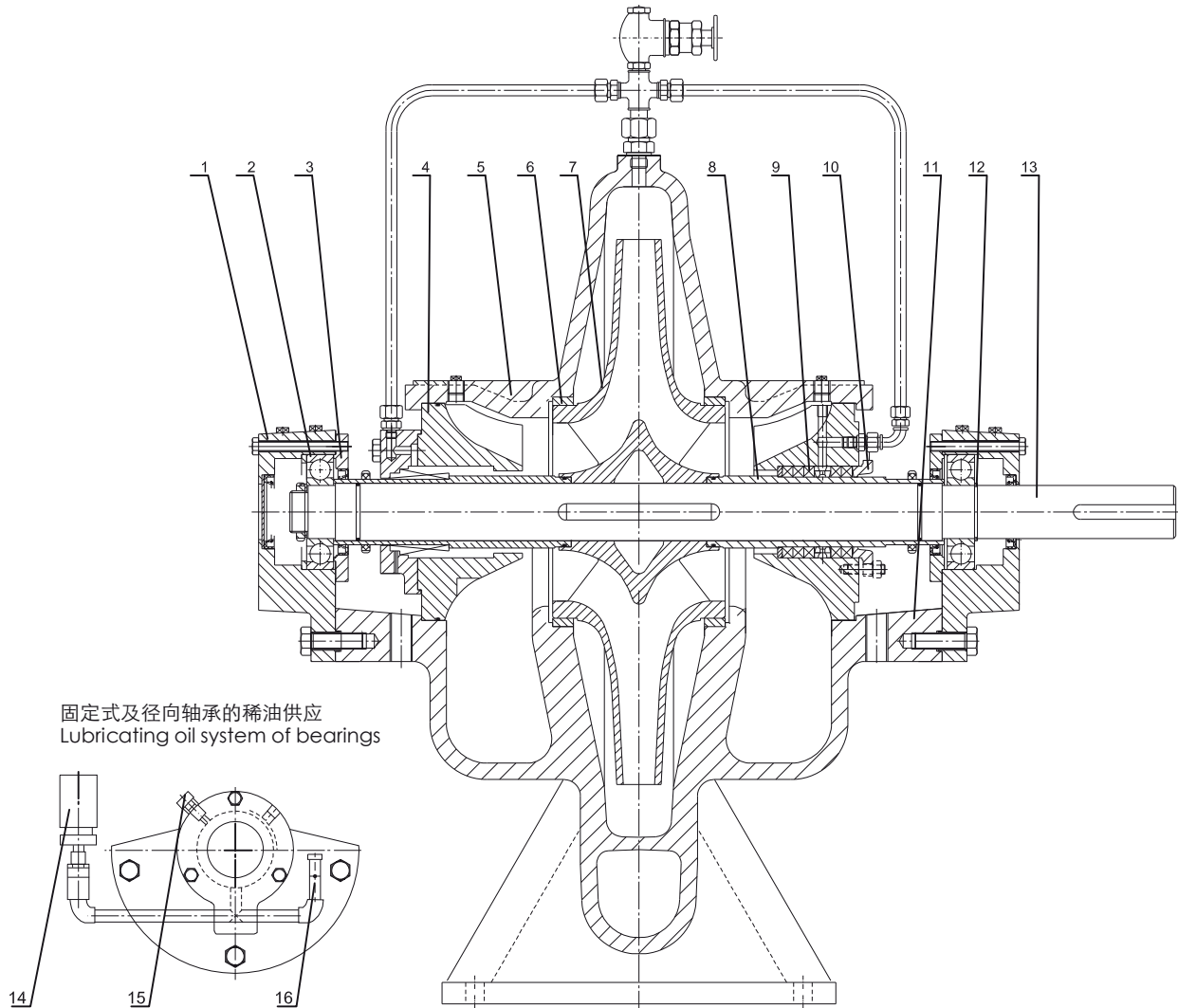
Other performance pumps can be designed by orders.



型谱图 Performance chart



结构简图 Construction

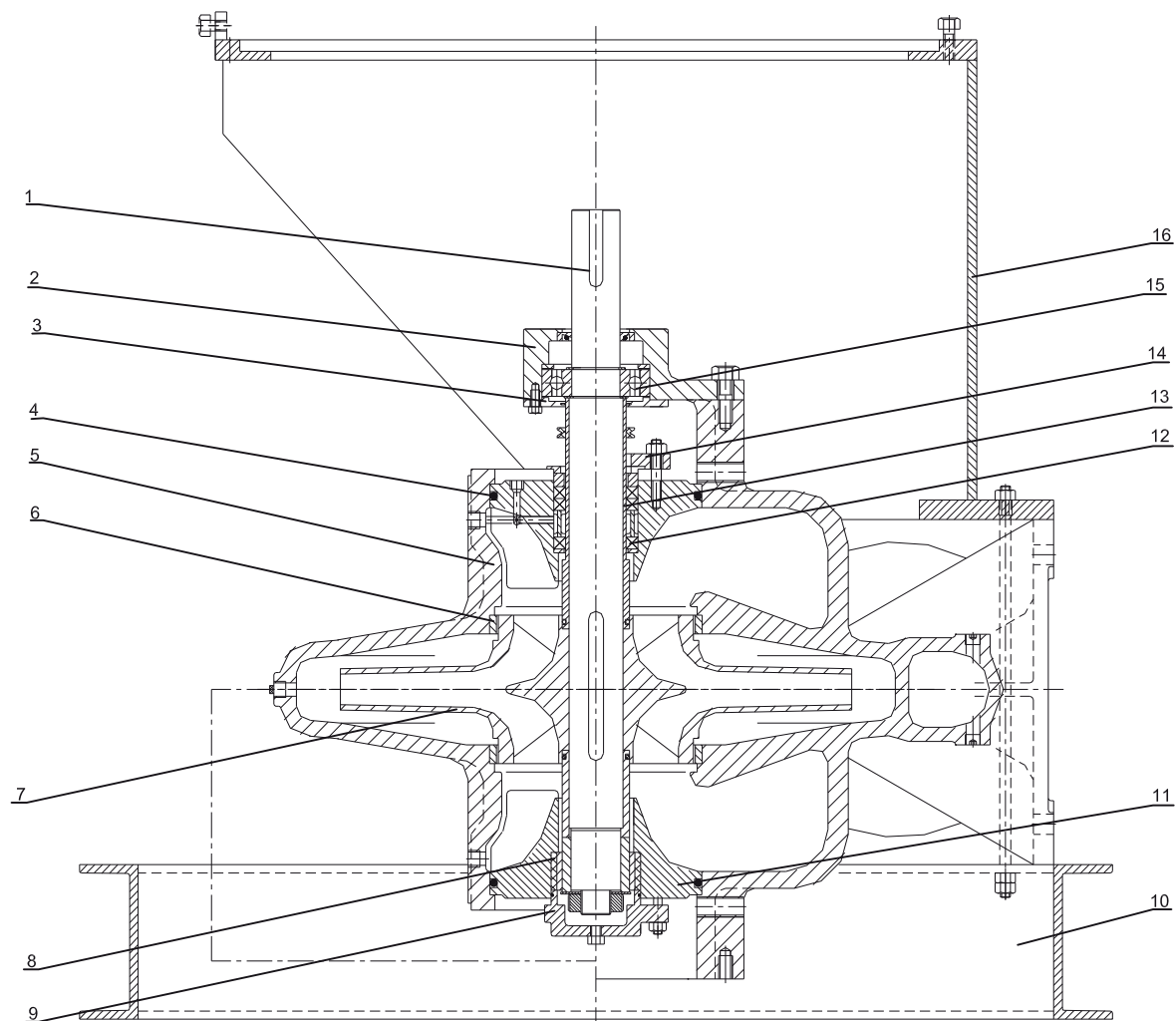


DH型卧式泵结构图

序号 No.	零件名称 Parts name	序号 No.	零件名称 Parts name	序号 No.	零件名称 Parts name	序号 No.	零件名称 Parts name
1	轴承体 bearing body	5	泵盖 pump cover	9	填料或机械密封 packing or mechanical seal	13	轴 shaft
2	轴承 bearing	6	壳体密封环 case sealing ring	10	密封压盖 sealing cover	14	油位计 oil location
3	轴承压盖 bearing cover	7	叶轮 impeller	11	泵体 pump casing	15	放气塞 air vent
4	密封体 sealing body	8	密封轴套 sealing shaft sleeve	12	弹性挡圈 block ring	16	示油器 oil mark



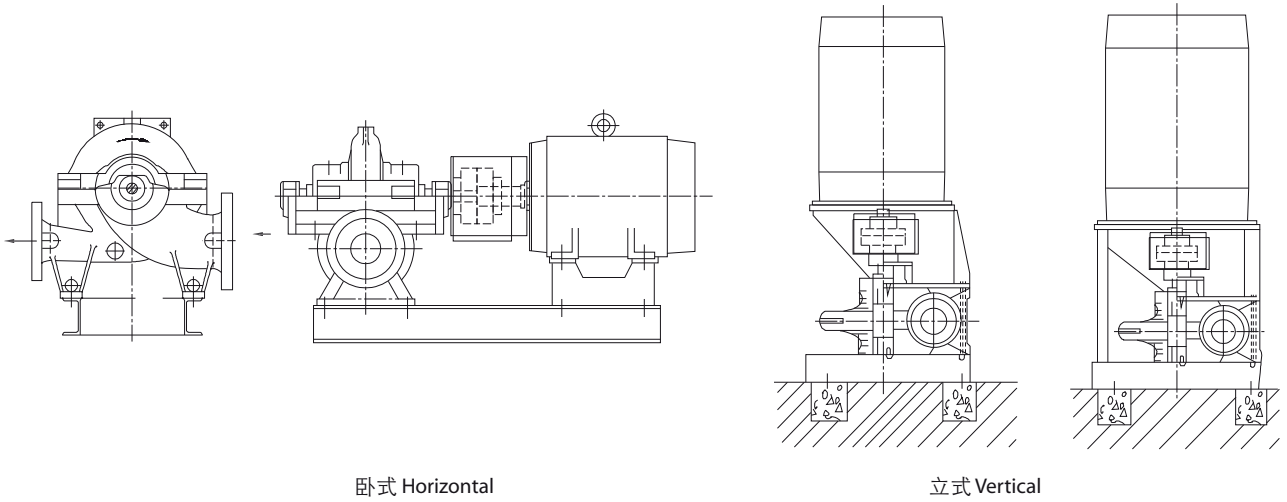
结构简图 Construction



DV型立式泵结构图(DV80~DV350)

序号 No.	零件名称 Parts name	序号 No.	零件名称 Parts name	序号 No.	零件名称 Parts name	序号 No.	零件名称 Parts name
1	轴 shaft	5	壳盖 casing	9	导轴承压盖 guild bearing cover	13	密封轴套 sealing shaft sleeve
2	轴承体 bearing body	6	壳体密封环 case sealing ring	10	底座 baseplate	14	密封压盖 sealing cover
3	轴承压盖 bearing cover	7	叶轮 impeller	11	密封体 sealing body	15	轴承 bearing
4	密封圈 sealing ring	8	导轴承 guild bearing	12	填料或机械密封 packing or mechanical seal	16	电机座 motor plate

安装方式 Installation type



卧式 Horizontal

立式 Vertical

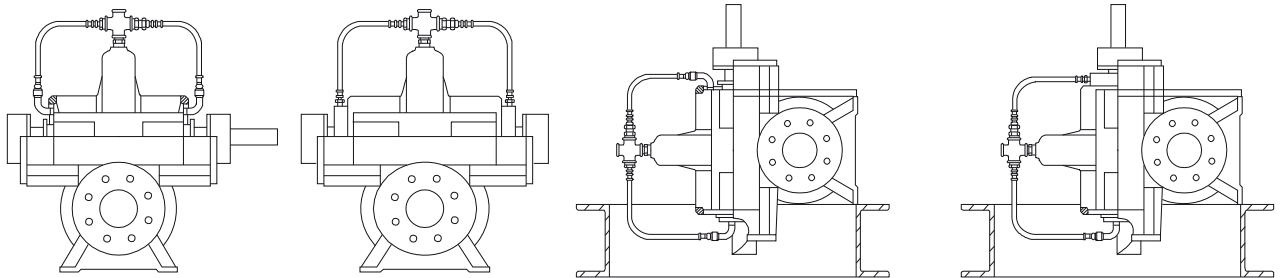
转密封水管路布置 Pipe system for sealing water

填料密封冲洗水管路
flushing system for
packing

机械密封冲洗水管路
flushing system for
mechanical seal

填料密封及导轴承的冲洗水管路
flushing system for packing and
guide bearing

机械密封及导轴承的冲洗水管路
flushing system for mechanical
seal and guide bearing



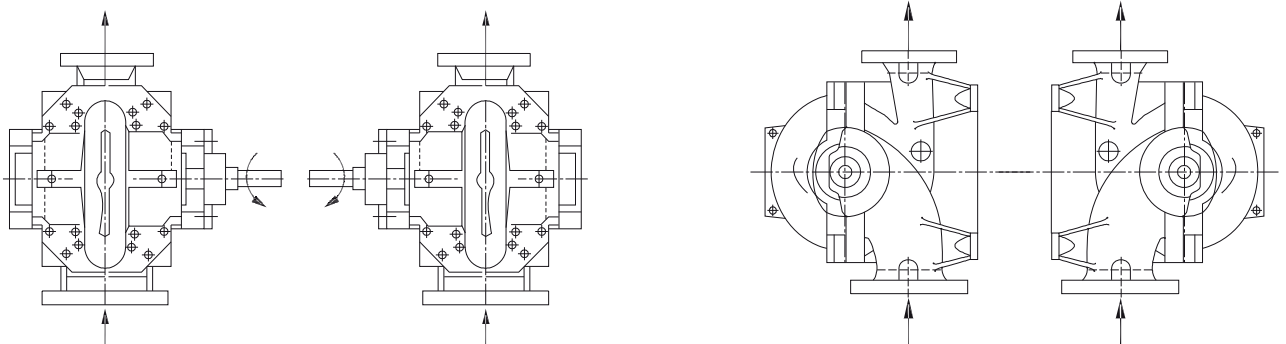
转动方向/流动方向 Rotation direction/flow direction

从传动端看
逆时针方向旋转
Counter clockwise
Viewed from the
driving side

从传动端看
顺时针方向旋转
Clockwise
Viewed from the
driving side

从传动端看
逆时针方向旋转
Counter clockwise
Viewed from the
driving side

从传动端看
顺时针方向旋转
Clockwise
Viewed from the
driving side



性能参数 Performance parameters

(2P)

型号 Type	流量 Capacity m ³ /h	扬程 Head (m)	转速 Speed (r/min)	功率 Power		效率 Eff. (%)	必需汽 蚀余量 NPSHr (m)
				轴功率 Shaft power (kW)	电机功率 Motor power (kW)		
DH(V)80-164-55-O	131	60.5	2900	26.8	37	80.6	5.1
	164	55		29.9		82	
	197	50		33.4		80.2	
DH(V)80-151-47.5	121	52	2900	21.6	30	79.3	4.6
	151	47.5		24.1		81	
	181	42.2		26.1		80	
DH(V)80-144-39	115	44	2900	17.8	30	77.8	4.5
	144	39		19		80.5	
	173	35		21.1		78	
DH(V)80-137-33.5	110	37	2900	14.7	18.5	75.3	4.3
	137	33.5		16		77.8	
	164	27.7		16.7		74	
DH(V)80-134-51-O	107	55.5	2900	20.5	30	79	4
	134	51		22.9		81	
	160	46		25.1		80.1	
DH(V)80-133-43.5	106	47.7	2900	17.6	22	78.2	4
	133	43.5		19.3		80	
	159	37		20		80.1	
DH(V)80-124-36	100	40	2900	14.4	18.5	75.5	3.7
	124	36		15.6		78.2	
	149	30		16.5		74	
DH(V)80-133-31	91	35	2900	12.1	15	71.5	3.5
	133	31		12.9		74	
	136	27		13.9		72	
DH(V)80-207-90-O	166	97.5	2900	57	75	77.2	7
	207	90		64.6		78.5	
	248	79		70.8		75.5	
DH(V)80-194-77	156	83.5	2900	46.6	75	76	6
	194	77		52.6		77.5	
	233	69		58.1		75.5	
DH(V)80-184-63.5	147	70	2900	37.5	55	74.7	5.3
	184	63.5		41.8		76	
	220	55		44.6		74	
DH(V)80-173-50	138	56.5	2900	28.7	37	74.2	5
	173	50		31.4		75	
	198	45		32.8		74	
DH(V)80-171-82.5-O	137	91	2900	44.6	55	76.1	7.3
	171	82.5		49.9		77	
	205	72.5		54.1		75	
DH(V)80-153-71.5	122	79.5	2900	35.6	55	74.4	6
	153	71.5		39.1		76.2	
	184	67		44.7		76	
DH(V)80-144-60	115	66.8	2900	28.5	37	73.7	5.5
	144	60		31.3		75.2	
	173	53		33.7		74.2	
DH(V)80-137-49	110	54.5	2900	22.4	30	72.5	5.4
	137	49		24.5		74.4	
	164	42		25.9		72.5	
DH(V)100-288-75-O	230	83	2900	64.2	90	80.7	9
	288	75		70.9		83	
	346	67		78.4		80.5	
DH(V)100-274-63	219	69	2900	51.9	75	79.3	9.5
	274	63		58.3		80.5	
	328	55		62.3		79	
DH(V)100-261-52	209	59	2900	43.5	55	77.2	9.7
	261	52		46.8		79	
	313	46.5		51.5		77	
DH(V)100-240-45	193	49	2900	33.9	45	76	9.7
	240	45		37.7		78	
	290	37		39.2		74.5	
DH(V)100-245-68-O	196	75	2900	50	75	80	8.6
	245	68		55.6		81.5	
	294	59		59.8		79	
DH(V)100-223-59	180	65	2900	40.6	55	78	7.8
	223	59		44.7		79.5	
	268	51		47.9		77	
DH(V)100-205-51	165	56	2900	32.9	45	76.5	7.4
	205	51		36.8		77.5	
	246	44		38.8		76	



性能参数 Performance parameters

(2P)

型号 Type	流量 Capacity m ³ /h	扬程 Head (m)	转速 Speed (r/min)	功率 Power		效率 Eff. (%)	必需汽 蚀余量 NPSHr (m)	
				轴功率 Shaft power (kW)	电机功率 Motor power (kW)			
DH(V)100-190-43	150	48	2900	26.4	37	75	7.1	
	190	43		29.1		76		
	227	38		31.1		75.5		
DH(V)100-367-123-O	294	135	2900	137.7	185	78.5	13.7	
	367	123		153.8		80		
	440	105		164		76.8		
DH(V)100-335-106	268	116	2900	108	132	78.3	12.2	
	335	106		121.4		160		79.6
	402	92		131		77		
DH(V)100-302-90	242	98	2900	82.7	110	78.1	10.7	
	302	90		93.5		79.3		
	363	80		102.5		77.2		
DH(V)100-227-74	182	82	2900	52.8	90	77	9.2	
	227	74		70.7		78.3		
	333	65.5		78.1		76		
DH(V)100-283-119-O	226	130	2900	105	132	76.5	10.2	
	283	119		117.4		78		
	340	105		128.5		75.5		
DH(V)100-260-103	208	111	2900	81.8	110	76.3	9.5	
	260	103		93.7		77.6		
	310	90		100		76		
DH(V)100-250-84	200	92	2900	65.8	90	76.1	9	
	250	84		73.8		77.3		
	300	74		80.5		75		
DH(V)100-234-69	187	78	2900	53.1	75	75	8.5	
	234	69		57.1		77		
	281	60		61.2		75		
DH(V)125-541-60-O	426	68	2900	93.8	110	84.2	9.9	
	541	60		101.8		85.5		
	639	48		101.9		82		
DH(V)125-490-52	392	60	2900	78.1	90	82	10.1	
	490	52		82.4		84		
	585	43.5		84.4		82.5		
DH(V)125-454-43.5	363	50	2900	63.4	75	78	10.3	
	454	43.5		65.1		82		
	544	35		66.6		78		
DH(V)125-425-34	340	40	2900	49.4	55	75	10.7	
	425	34		50.8		77		
	489	30		52.5		76		
DH(V)125-472-60.5-O	377	68	2900	84.2	110	83	12.1	
	472	60.5		92		84.5		
	566	55		101.5		83.6		
DH(V)125-436-53	349	60	2900	70.3	90	81	11.8	
	436	53		74.8		84		
	523	44		77.2		81.2		
DH(V)125-410-45	328	52	2900	60.1	75	77.5	11.9	
	410	45		61.3		82		
	493	37		63.3		78.4		
DH(V)125-382-37	305	42.5	2900	47.1	55	75	12	
	382	37		49.9		77		
	458	30		49.9		75		
DH(V)125-535-108-O	428	117	2900	166	200	82	10.9	
	535	108		187		84		
	640	94		197		83		
DH(V)125-497-88	397	97	2900	131	160	80	10.7	
	497	88		145		82		
	596	75		153		79.5		
DH(V)125-454-72	363	80	2900	101	132	78.3	10.5	
	454	72		111		80		
	544	62		117		78.8		
DH(V)125-403-57	323	65	2900	74.7	90	76.5	10.4	
	403	57		80.2		78		
	484	47		80.5		77		
DH(V)125-480-100-O	383	113	2900	145	185	81.6	10.9	
	480	100		157		83		
	575	85.5		166		80.5		
DH(V)125-436-83.5	348	93.5	2900	112	132	79.5	10.5	
	436	83.5		121		82		
	523	70		126		79		



性能参数 Performance parameters

(2P)

型号 Type	流量 Capacity m ³ /h	扬程 Head (m)	转速 Speed (r/min)	功率 Power		效率 Eff. (%)	必需汽 蚀余量 NPSHr (m)
				轴功率 Shaft power (kW)	电机功率 Motor power (kW)		
DH(V)125-385-70	308	78	2900	84.5	110	77.5	10.1
	385	70		93			
	462	60		96.9			
DH(V)125-342-55	274	69	2900	59.6	75	75	10
	342	55		67.4			
	410	47		70			
DH(V)80-83-13.8-O	66	15	1450	3.4	5.5	80.5	2.1
	83	13.8		3.8			
	100	12.2		4.2			
DH(V)80-76-11.8	61	13	1450	2.7	4	79	2.1
	76	11.8		3			
	90	10.5		3.3			
DH(V)80-72-9.8	58	11	1450	2.2	3	78	2.1
	72	9.8		2.4			
	87	8.7		2.6			
DH(V)80-69-8.2	55	9.1	1450	1.8	3	76	2.1
	69	8.2		2			
	83	7		2.1			
DH(V)80-65-12.8-O	52	14.2	1450	2.6	4	78	2.1
	65	12.8		2.8			
	78	10		3.1			
DH(V)80-64-11.8	52	12	1450	2.1	4	78.5	2.1
	64	11.8		1.6			
	77	11.7		3.1			
DH(V)80-61-9	50	10	1450	1.8	3	76	2.1
	61	9		1.9			
	73	7.8		2			
DH(V)80-58-7.6	47	8.7	1450	1.5	2.2	70	2.1
	58	7.6		1.6			
	70	6.5		1.8			
DH(V)80-104-22.5-O	83	24	1450	7	11	77.5	2.8
	104	22.5		8.1			
	125	19.5		8.8			
DH(V)80-99-19	80	21.3	1450	6.1	11	75	2.7
	99	19		6.6			
	120	17		7.4			
DH(V)80-90-16	72	17.5	1450	4.6	7.5	74.5	2.5
	90	16		5.2			
	108	13.7		5.4			
DH(V)80-84-13	67	13.8	1450	3.4	5.5	74	2.5
	84	13		4			
	100	11.5		4.3			
DH(V)80-65-20.7	68	23.1	1450	5.7	7.5	75.8	2.4
	65	20.7		6.2			
	102	18.2		6.7			
DH(V)80-77-18.1	61	20	1450	4.5	7.5	74.5	2.2
	77	18.1		5			
	92	16		5.3			
DH(V)80-72-15	58	16.5	1450	3.5	5.5	73	2.1
	72	15		3.9			
	86	13.2		4.2			
DH(V)80-67-12.5	53	13.8	1450	2.7	4	72	2.1
	67	12.5		3.1			
	80	10.8		3.2			
DH(V)80-113-38.8-O	90	41	1450	13.8	18.5	73	2.8
	113	38.8		16.2			
	136	33.5		17.3			
DH(V)80-99-33	80	35	1450	10.6	15	71	2.3
	99	33		12.3			
	120	29.1		13.3			
DH(V)80-88-27.5	70	29.3	1450	8.2	11	38.4	2.3
	88	27.5		9.4			
	106	24.7		10.2			
DH(V)80-81-22.5	65	23.8	1450	6.4	11	66	2.3
	81	22.5		7.4			
	98	20		8			
DH(V)80-99-35.5-O	80	38.8	1450	11.8	18.5	71	3
	99	35.5		13.1			
	120	31.1		14.3			



性能参数 Performance parameters

型号 Type	流量 Capacity m ³ /h	扬程 Head (m)	转速 Speed (r/min)	功率 Power		效率 Eff. (%)	必需汽 蚀余量 NPSHr (m)
				轴功率 Shaft power (kW)	电机功率 Motor power (kW)		
DH(V)80-90-30.8	72	34.1	1450	9.7	15	69	2.6
	90	30.8		10.8		70	
	108	26.3		11.4		68	
DH(V)80-76-25.5	60	27.5	1450	7	11	64.5	2.3
	76	25.5		8		66	
	90	22.5		8.5		65.2	
DH(V)80-67-20	53	21.3	1450	4.9	7.5	63	2.3
	67	20		5.7		64	
	80	17.5		6		63	
DH(V)100-144-18.8-O	115	21.2	1450	8.2	11	80.7	2.9
	144	18.8		8.9		83	
	173	17.5		10		81.7	
DH(V)100-140-15.8	112	17.5	1450	6.7	11	79	2.9
	140	15.8		7.4		81	
	167	13.2		7.7		77	
DH(V)100-126-13.5	100	14.5	1450	5.1	7.5	77.8	2.9
	126	13.5		5.9		79	
	150	11.9		6.3		77.6	
DH(V)100-120-11.2	97	12.2	1450	4.2	7.5	75.5	2.9
	120	11.2		4.7		77.5	
	145	9.5		5		75.5	
DH(V)100-122-17-O	98	18.8	1450	6.2	11	80.5	2.4
	122	17		7		81.5	
	147	15		7.6		79.5	
DH(V)100-112-14.5	90	16.3	1450	5.1	7.5	78	2.4
	112	14.5		5.6		79.5	
	135	12.7		6		77.2	
DH(V)100-106-12.5	85	13.7	1450	4.1	7.5	77	2.2
	106	12.5		4.7		78	
	128	11.3		5.3		75	
DH(V)100-94-11	75	12.1	1450	3.3	5.5	75	2.1
	94	11		3.7		76	
	113	9.6		3.9		75.2	
DH(V)100-185-31-O	148	34	1450	17.4	22	78.5	3.1
	185	31		19.6		80	
	222	26.8		21		77.5	
DH(V)100-166-27	133	29.3	1450	13.4	18.5	79	2.7
	166	27		15.3		79.6	
	200	24.3		17		77.4	
DH(V)100-151-22.5	120	24.8	1450	10.5	15	78	2.5
	151	22.5		11.7		79.3	
	180	20		12.8		77.4	
DH(V)100-140-18.5	112	20.2	1450	7.9	11	77.8	2.3
	140	18.5		9		79	
	162	16.2		9.2		78	
DH(V)100-140-29.5-O	112	32.5	1450	13	18.5	76.6	2.7
	140	29.5		14.1		78	
	168	25		15.5		74	
DH(V)100-133-25.5	106	27.5	1450	10.4	15	76.6	2.5
	133	25.5		11.6		77.6	
	160	22		12.8		75	
DH(V)100-124-21.2	100	23	1450	8.2	11	76.2	2.4
	124	21.2		9		77.3	
	150	18		9.8		75	
DH(V)100-117-17	94	19.4	1450	6.5	11	76.5	2.3
	117	17		6.9		77	
	140	15		7.6		76	
DH(V)100-185-51-O	148	57	1450	31.4	45	73	3
	185	51		33.5		76.5	
	220	44		35.6		74	
DH(V)100-167-46	133	47.3	1450	24.5	37	71	2.7
	167	46		28.3		74	
	200	38		29.2		72.3	
DH(V)100-155-38	124	41	1450	20.3	30	67.5	2.5
	155	38		22.6		71	
	186	31		23.1		68	
DH(V)100-135-30.3	108	32.5	1450	14.4	18.5	66.3	2.1
	135	30.3		14.5		69	
	162	25.3		16.8		66.5	



性能参数 Performance parameters

型号 Type	流量 Capacity m ³ /h	扬程 Head (m)	转速 Speed (r/min)	功率 Power		效率 Eff. (%)	必需汽 蚀余量 NPSHr (m)
				轴功率 Shaft power (kW)	电机功率 Motor power (kW)		
DH(V)100-162-52-O	130	56.2	1450	28.4	37	70	3.6
	162	52		31.4		72	
	195	45.8		35.9		67.5	
DH(V)100-142-44	114	47.5	1450	22.2	30	66.5	3.3
	142	44		23.7		69	
	170	39		27.3		66.5	
DH(V)100-130-37.5	105	40	1450	17.7	30	64.5	3
	130	37.5		18.8		66.5	
	157	32.5		21.7		64	
DH(V)100-115-28.7	92	30.8	1450	12.7	18.5	61	2.7
	115	28.7		14.3		63	
	138	25		15.4		61.2	
DH(V)125-274-14.8-O	220	17	1450	12.1	15	84	2.3
	274	14.8		12.9		85.5	
	328	12		13.1		82	
DH(V)125-241-13.2	193	15	1450	9.7	15	81	2.3
	241	13.2		10.3		84.5	
	290	10.8		10.4		82	
DH(V)125-230-10.6	184	12.6	1450	8	11	79.4	2.2
	230	10.6		8.1		82.5	
	277	8		8.1		76	
DH(V)125-209-8.7	167	10.3	1450	6.4	7.5	73	2.2
	209	8.7		6.4		77.5	
	250	6.8		6.3		73	
DH(V)125-238-15.1-O	190	17	1450	10.5	15	84.1	2.7
	238	15.1		11.6		84.5	
	307	11.5		12		80	
DH(V)125-212-13.5	170	15.2	1450	8.6	11	81	2.7
	212	13.5		9.3		84	
	255	11.4		9.7		82	
DH(V)125-205-11.5	164	13	1450	7.5	11	78	2.7
	205	11.5		7.8		82	
	246	9.2		7.9		78	
DH(V)125-195-9.1	156	10.5	1450	5.9	7.5	75	2.7
	195	9.1		6.2		78	
	223	7.7		6.3		74	
DH(V)125-269-27-O	215	29.2	1450	20.8	30	82.3	2.4
	269	27		23.6		84	
	323	23.5		25.2		82	
DH(V)125-243-22	195	24.4	1450	16.1	22	80.3	2.4
	243	22		17.8		82	
	292	19.6		19.8		80	
DH(V)125-223-18	178	20	1450	12.3	15	79	2.3
	223	18		13.7		80	
	268	15.5		14.4		78.3	
DH(V)125-202-14.2	161	16.3	1450	9.3	15	77	2.3
	202	14.2		10		78	
	242	11.8		10.2		76.2	
DH(V)125-241-25-O	193	27.5	1450	17.8	22	81	2.4
	241	25		19.8		83	
	290	21.3		20.6		80	
DH(V)125-218-21	174	23.4	1450	13.9	18.5	80	2.3
	218	21		15.2		82	
	261	17.5		16		78	
DH(V)125-196-17.5	157	19	1450	10.4	15	78	2.2
	196	17.5		11.8		79	
	235	15		12.3		78	
DH(V)125-173-13.7	138	15.1	1450	7.7	11	74.3	2.2
	173	13.7		8.5		76	
	207	11.3		8.6		74	
DH(V)125-310-47-O	245	50	1450	41.2	55	82	2.6
	310	47		47.2		84	
	360	44		52.3		82	
DH(V)125-281-39	225	41.6	1450	31.8	45	80	2.8
	281	39		36		83	
	337	35.6		40.4		81.2	
DH(V)125-256-31.5	205	33.7	1450	24.2	37	76	2.9
	256	31.5		26.8		82	
	307	28.2		29.8		79.5	



性能参数 Performance parameters

型号 Type	流量 Capacity m ³ /h	扬程 Head (m)	转速 Speed (r/min)	功率 Power		效率 Eff. (%)	必需汽 蚀余量 NPSHr (m)
				轴功率 Shaft power (kW)	电机功率 Motor power (kW)		
DH(V)125-230-24	184	25.5	1450	16.9	22	76	3
	230	24		18.8	30	80	
	278	20.9		20.2		78	
DH(V)125-277-43-O	222	46.3	1450	35.4	55	79.2	2.9
	277	43		40.1		81	
	333	38.8		44		80	
DH(V)125-252-37	202	39.8	1450	28	37	78.5	2.8
	252	37		31.8		80	
	302	32.8		34.2		79	
DH(V)125-227-30.5	182	32.6	1450	21.4	30	76.5	2.8
	227	30.5		24.5		78.5	
	272	27.5		26.8		76	
DH(V)125-198-24.5	158	26.3	1450	14.9	22	77.8	2.7
	198	24.5		17.4		78	
	238	21.8		18.8		75.2	
DH(V)125-328-76-O	262	82	1450	73.7	110	79.5	2.8
	328	76		82.7		82	
	393	70		96.4		77.8	
DH(V)125-292-66.5	233	70	1450	56.7	90	78.5	2.7
	292	66.5		67.3		80	
	342	62		74.8		77.2	
DH(V)125-256-56	205	60	1450	44	75	76	2.5
	256	56		50.6		77	
	307	51.5		56.6		76	
DH(V)125-230-47	184	50	1450	34.2	45	73.5	2.5
	230	47		38.8		76.5	
	252	45		40.7		76	
DH(V)125-293-69.5-O	235	75	1450	61.7	90	77.7	3.2
	293	69.5		70.3		79	
	352	63		78.5		77	
DH(V)125-272-60.5	217	65	1450	50.1	75	76.8	2.9
	272	60.5		57.4		78	
	326	55		64.3		76	
DH(V)125-227-53	181	57	1450	37.5	55	75.1	2.6
	227	53		42.5		77	
	272	48.3		47.3		75.8	
DH(V)125-202-45	161	47.5	1450	28.2	37	74	2.5
	202	45		32.5		76	
	234	40		34.6		74	
DH(V)150-443-21-O	354	24	1450	27.1	37	85.6	2.9
	443	21		29.1		87	
	531	17.5		30.3		83.5	
DH(V)150-403-18	323	21	1450	22.2	30	83	2.9
	403	18		23		86	
	484	15		24		82.3	
DH(V)150-378-15	302	17.5	1450	18	22	80	2.9
	378	15		18.4		84	
	454	12.3		19.1		79.4	
DH(V)150-350-11.5	280	13.7	1450	13.9	18.5	75	3
	350	11.5		14.2		77	
	396	10		14.2		76	
DH(V)150-396-20.4-O	317	23.4	1450	24	30	84.2	3
	396	20.4		25.6		86	
	475	16.6		25.7		83.5	
DH(V)150-378-17	302	20	1450	19.9	22	82.8	3.1
	378	17		20.6		85	
	454	13.7		20.7		82	
DH(V)150-353-14.5	282	17.5	1450	16.6	18.5	80.6	3.1
	353	14.5		16.6		84	
	423	11.3		16.5		79	
DH(V)150-331-11.5	265	14	1450	13	15	76.7	3.1
	331	11.5		13		80	
	378	9.8		13.3		76	
DH(V)150-446-38-O	357	41.3	1450	48.4	75	83	3
	446	38		54.3		85	
	536	34.2		60.4		82.7	
DH(V)150-403-31	323	34.2	1450	36.9	45	81.5	3
	403	31		41		83	
	484	26.3		42.9		80.8	



性能参数 Performance parameters

型号 Type	流量 Capacity m ³ /h	扬程 Head (m)	转速 Speed (r/min)	功率 Power		效率 Eff. (%)	必需汽 蚀余量 NPSHr (m)
				轴功率 Shaft power (kW)	电机功率 Motor power (kW)		
DH(V)150-370-25	298	28.7	1450	29.4	37	79	3
	370	25		31.2		81	
	445	21		32.3		78.8	
DH(V)150-331-20	265	23.4	1450	22.1	30	76.5	3.1
	331	20		23.1		78	
	389	16.7		23.3		77.6	
DH(V)150-407-35-O	325	39.2	1450	42.3	55	82.1	3
	407	35		46.2		84	
	488	30		49.3		81	
DH(V)150-367-29.5	294	33	1450	32.8	45	80.5	3
	367	29.5		36		82	
	440	25		37.5		80	
DH(V)150-334-25	267	27.5	1450	25.4	37	78.8	3
	334	25		28.5		80	
	400	21.3		29.8		78	
DH(V)150-292-20.5	233	22.8	1450	19.2	30	75.7	3
	292	20.5		20.9		78	
	350	17.5		22		76	
DH(V)150-515-66-O	412	71	1450	99.4	132	80.2	3.9
	515	66		112.8		82	
	618	60		126.2		80	
DH(V)150-472-54.5	377	58	1450	75.2	110	79.3	3.8
	472	54.5		86.4		81	
	566	48		94.9		78	
DH(V)150-432-43.5	346	47.5	1450	57	75	78.5	3.7
	432	43.5		64		80	
	516	37		69.7		75	
DH(V)150-396-35	317	38	1450	42.6	55	77	3.3
	396	35		48.1		78.5	
	475	28.2		50.7		72	
DH(V)150-440-60-O	350	65	1450	78.3	110	79.5	3.9
	440	60		88.6		81	
	527	53.5		97.6		78.7	
DH(V)150-403-50	323	54	1450	60.3	90	78.7	3.7
	403	50		68.2		80.5	
	484	44.5		75.2		78	
DH(V)150-375-40	300	44.4	1450	46.5	75	78	3.4
	375	40		51		80	
	450	34.5		57.1		74	
DH(V)150-324-33	260	35.5	1450	33.5	45	74.8	3.2
	324	33		37.3		78	
	390	28.4		40.7		74	
DH(V)150-583-105-O	467	112	1450	182.6	250	78	4.2
	583	105		206		81	
	700	95.5		233.4		78	
DH(V)150-550-88.5	440	96	1450	151.1	200	76.3	4
	550	88.5		168		79	
	648	81		187.5		76.3	
DH(V)150-515-75	412	82	1450	120	160	76.6	3.8
	515	75		134.8		78	
	605	68		151.4		74	
DH(V)150-472-61.5	378	67.5	1450	92.3	110	75.2	3.5
	472	61.5		102.6		77	
	526	55.2		106.8		74	
DH(V)150-536-90-O	430	98	1450	149.2	200	76.8	4.7
	536	90		166.4		79	
	617	82		181.5		76	
DH(V)150-490-78	392	85	1450	118.9	160	76.3	4.2
	490	78		133.3		78	
	576	70		148.1		74.2	
DH(V)150-446-68.5	357	75	1450	96.2	132	75.9	4
	446	68.5		108.2		77	
	535	60		118.4		74	
DH(V)150-403-57.5	323	62.5	1450	73.4	110	74.9	3.6
	403	57.5		83.1		76	
	484	50		91.6		72	
DH(V)200-695-30-O	556	34	1450	60	75	86	3.8
	695	30		64.9		87.5	
	834	25		67.2		84.5	



性能参数 Performance parameters

型号 Type	流量 Capacity m ³ /h	扬程 Head (m)	转速 Speed (r/min)	功率 Power		效率 Eff. (%)	必需汽 蚀余量 NPSHr (m)
				轴功率 Shaft power (kW)	电机功率 Motor power (kW)		
DH(V)200-648-25.5	518	29	1450	48.8	75	84	4
	648	25.5		52		86.5	
	778	21.3		54		83.5	
DH(V)200-601-21.3	481	25	1450	40.7	45	80.5	4.1
	601	21.3		41		85	
	720	17.2		42.3		80	
DH(V)200-550-17	440	18.9	1450	29	37	78	4.1
	550	17		32.3		79	
	612	15.3		32.9		77.5	
DH(V)200-637-28-O	510	32.3	1450	52.7	75	85.2	3
	637	28		56.2		86.5	
	765	23.4		58		84	
DH(V)200-594-24.5	475	28.5	1450	44	55	83.8	3.2
	594	24.5		46.1		86	
	713	20		46.9		82.9	
DH(V)200-558-21	445	23.8	1450	35.6	45	81.3	3.4
	558	21		38		84	
	670	17.2		38.4		81.8	
DH(V)200-515-17	412	20	1450	28.8	37	78	3.8
	515	17		29.1		82	
	595	14.2		29.5		78	
DH(V)200-709-52-O	567	57	1450	104	132	84.5	3.9
	709	52		116		86.5	
	850	47		129		84.5	
DH(V)200-630-42.5	504	47.5	1450	79.1	110	82.5	3.9
	630	42.5		86.3		84.5	
	756	37.5		93.1		83	
DH(V)200-572-35.5	458	40	1450	62	75	80.5	3.9
	572	35.5		66.7		83	
	687	30		68.8		81.6	
DH(V)200-511-27.5	409	32.5	1450	45.8	55	79	4
	511	27.5		49		81	
	613	24		50.1		80	
DH(V)200-648-48.5-O	518	54	1450	90.8	110	84	3.5
	648	48.5		99.1		85.5	
	778	42		107		83.5	
DH(V)200-583-40.5	467	45	1450	69.8	90	82	3.5
	583	40.5		76.6		84	
	700	35		81.9		81.5	
DH(V)200-530-34.5	423	38	1450	54.8	75	80	3.7
	530	34.5		60.6		82	
	635	29		63.1		79.5	
DH(V)200-468-28	375	31.5	1450	41.5	55	77.5	3.8
	468	28		45.8		78	
	562	24		47.5		77.3	
DH(V)200-817-91-O	654	97	1450	210	280	82.2	4
	817	91		241	315	84	
	980	83		272	81.5		
DH(V)200-756-76.5	605	82.5	1450	170	220	80.2	4.5
	756	76.5		192	250	83	
	907	70		215	80.4		
DH(V)200-706-62.5	565	67	1450	132	185	78.1	3.7
	706	62.5		148		81	
	847	55		163		78	
DH(V)200-648-47.5	518	52.3	1450	98	132	75.5	3.5
	648	47.5		107		78.5	
	778	42		117		76.2	
DH(V)200-734-81.7-O	588	88	1450	175	220	80.3	3.5
	734	81.7		197	250	83	
	880	73.2		219	80.3		
DH(V)200-695-68	556	74	1450	141	185	79.6	3.8
	695	68		159		81	
	834	60		172		79.3	
DH(V)200-655-55	524	60	1450	109	160	78.5	3.6
	655	55		123		80	
	786	48.8		134		78	
DH(V)200-598-43.5	478	48	1450	81	110	76.8	2.9
	598	43.5		91		78	
	717	38		98		76	



性能参数 Performance parameters

型号 Type	流量 Capacity m ³ /h	扬程 Head (m)	转速 Speed (r/min)	功率 Power		效率 Eff. (%)	必需汽 蚀余量 NPSHr (m)
				轴功率 Shaft power (kW)	电机功率 Motor power (kW)		
DH(V)200-792-150-O	634	157.5	1450	350	500	77.7	3.6
	792	150		404		80	
	936	140		457		78.2	
DH(V)200-745-127	596	134.5	1450	285	400	76.7	3.4
	745	127		328		78.5	
	894	114.5		367		76	
DH(V)200-702-107	562	114.5	1450	231	315	76	3.2
	702	107		266		77	
	842	95.5		293		74.8	
DH(V)200-659-88	527	95.5	1450	183	250	74.8	3
	659	88		208		76	
	770	80		227		74	
DH(V)200-720-132.5-O	576	142	1450	289	400	77.2	3.4
	720	132.5		329		79	
	864	120		372		76	
DH(V)200-662-114.5	530	123	1450	231	315	76.8	3.3
	662	114.5		263		78.5	
	795	104		296		76	
DH(V)200-616-98.5	493	106	1450	187	250	76.1	3.2
	616	98.5		212		78	
	720	90		232		76	
DH(V)200-569-83	455	90	1450	149	200	74.8	2.9
	569	83		167		77	
	683	73		184		74	
DH(V)250-1051-39-O	840	44	1450	118	160	85.3	4.7
	1051	39		127		88	
	1260	33.5		137		84	
DH(V)250-994-33	795	37.5	1450	99	132	82.3	5
	994	33		104		86	
	1192	27.7		109		82.3	
DH(V)250-943-27	755	31.5	1450	83	90	78	5
	943	27		83.6		83	
	1131	21		83.6		77.5	
DH(V)250-870-20	756	23	1450	62.3	75	76	5
	871	20		61.2		77.5	
	1008	16		57.8		76	
DH(V)250-1029-37-O	823	42.3	1450	112	132	84.5	4.7
	1029	37		119		87	
	1235	31		124		84.3	
DH(V)250-968-32	775	37	1450	94.9	110	82.3	4.7
	968	32		98.1		86	
	1162	27		103.6		82.5	
DH(V)250-914-27	732	32	1450	79.7	90	80	4.7
	914	27		80		84	
	1097	22		82.2		80	
DH(V)250-850-22	680	25.6	1450	61.6	75	77	4.7
	850	22		62.1		82	
	1020	17		61.3		77	
DH(V)250-1173-66-O	938	73.5	1450	222	280	84.8	4.1
	1173	66		239		88	
	1408	58		262		85	
DH(V)250-1080-55	864	60.5	1450	166	220	82.8	4
	1080	55		188		86	
	1296	47.5		202		83	
DH(V)250-1000-45.5	800	50	1450	136	185	80	4
	1000	45.5		149		83	
	1200	38		160		77.6	
DH(V)250-929-37.5	743	42	1450	110	132	77	4
	929	37.5		119		80	
	1115	32		126		77	
DH(V)250-1044-55.5-O	864	62	1450	177	220	82.5	4.1
	1044	55.5		191		84	
	1296	45		199		80	
DH(V)250-976-47	780	53.5	1450	141	185	81	4.1
	976	47		149		84	
	1171	42		163		82	
DH(V)250-886-40.5	708	45	1450	111	132	78.6	3.6
	886	40.5		121		80.5	
	1063	34		126		78	



性能参数 Performance parameters

型号 Type	流量 Capacity m ³ /h	扬程 Head (m)	转速 Speed (r/min)	功率 Power		效率 Eff. (%)	必需汽 蚀余量 NPSHr (m)
				轴功率 Shaft power (kW)	电机功率 Motor power (kW)		
DH(V)250-803-34.5	642	40	1450	94.6	110	74	3.6
	803	34.5		96.1		78.5	
	963	28.5		98.4		76	
DH(V)250-1242-116-O	994	126	1450	411	560	83	4.6
	1242	116		467		84	
	1490	105		520		82	
DH(V)250-1166-100	933	108	1450	333	450	82.5	4.5
	1166	100		380		83.5	
	1400	90		421		81.5	
DH(V)250-1084-83	867	90	1450	262	315	81.3	4.3
	1084	83		295		83	
	1300	73.5		322		81	
DH(V)250-1000-66	800	74	1450	201	250	80.3	4
	1000	66		218		82.5	
	1200	60		244		80.5	
DH(V)250-1044-104-O	835	114	1450	320	400	81.2	3.7
	1044	104		356		83	
	1253	91.5		381		82	
DH(V)250-965-90	772	98	1450	255	315	80.8	3.6
	965	90		287		82.5	
	1158	80		311		81.3	
DH(V)250-875-74.5	700	80.3	1450	192	250	80	3.3
	875	74.5		218		81.5	
	1050	66		235		80.3	
DH(V)250-800-62	640	67.5	1450	149	200	79	3.1
	800	62		168		80.5	
	960	56.5		186		79.5	
DH(V)250-1130-175-O	904	184	1450	579	800	78.3	3.4
	1130	175		674		80	
	1356	164		775		78.2	
DH(V)250-978-152	782	161	1450	444	630	77.2	3.3
	978	152		513		79	
	1174	141		578		78	
DH(V)250-922-128	738	136	1450	358	500	76.5	3.2
	922	128		415		77.5	
	1106	118		465		76.5	
DH(V)250-865-106	692	113	1450	280	400	76.1	3
	865	106		325		76.5	
	1038	99		360		75.5	
DH(V)300-1098-24.5-O	878	28.8	1450	83.8	110	82.3	5.3
	1098	24.5		85.2		86.5	
	1318	20		89.4		80.3	
DH(V)300-1044-19.8	835	23.5	1450	66.4	75	80.5	5.5
	1044	19.8		66.6		84.5	
	1253	15		63.2		81	
DH(V)300-1008-15.5	806	19	1450	52.8	55	79	5.7
	1008	15.5		51.9		82	
	1210	11.4		48.2		78	
DH(V)300-965-11.5	772	15	1450	41.5	45	76	6
	965	11.5		37.8		80	
	1158	7.5		32		74	
DH(V)300-936-23-O	745	26.2	1450	64.4	75	83	4.1
	936	23		69		85	
	1123	20		72.9		84	
DH(V)300-864-20	691	24	1450	56.2	75	80.5	4.1
	864	20		56		84	
	1037	15.8		55.1		81	
DH(V)300-800-16.7	639	20	1450	45.5	55	76.5	4.2
	800	16.7		44.9		81	
	960	13.5		44.6		79	
DH(V)300-700-15	560	17.5	1450	37.1	45	72	4.3
	700	15		37.1		77	
	840	12		36.1		76	
DH(V)300-1677-53-O	1342	60	1450	257	315	85.5	7.1
	1677	53		275		89	
	2012	46		295		85.5	
DH(V)300-1577-45	1262	52	1450	213	250	84	7.2
	1577	45		223		86.5	
	1892	37.5		230		84	



性能参数 Performance parameters

型号 Type	流量 Capacity m ³ /h	扬程 Head (m)	转速 Speed (r/min)	功率 Power		效率 Eff. (%)	必需汽 蚀余量 NPSHr (m)
				轴功率 Shaft power (kW)	电机功率 Motor power (kW)		
DH(V)300-1476-36.5	1181	42.5	1450	171	200	80	7.4
	1476	36.5		175		84	
	1771	28.5		172		80	
DH(V)300-1360-27.5	1088	33.8	1450	132	160	76	7.4
	1360	27.5		129		79	
	1530	24		128		78	
DH(V)300-1620-51.5-O	1396	57.5	1450	240	315	84.8	6.9
	1620	51.5		260		88	
	1944	43.5		273		84.5	
DH(V)300-1519-45	1215	51.5	1450	206	250	83	6.9
	1519	45		215		86.5	
	1823	37.5		222		84	
DH(V)300-1422-37.5	1138	43.5	1450	168	200	80.5	6.9
	1422	37.5		173		84	
	1706	30		174		80	
DH(V)300-1332-30.5	1066	35	1450	130	160	78	6.9
	1332	30.5		136		81.5	
	1598	24.5		138		77.5	
DH(V)300-1746-94-O	1397	101.5	1450	454	630	85.2	5.7
	1746	94		520		87	
	2095	83.5		570		83.5	
DH(V)300-1645-76	1316	83.5	1450	357	450	83.8	6.4
	1645	76		389		85.5	
	1974	67		433		83.3	
DH(V)300-1573-62	1258	68	1450	281	355	83	6.7
	1573	62		313		85	
	1888	54		339		82	
DH(V)300-1516-50	1213	57	1450	232	280	81.2	7.2
	1516	50		247		83.5	
	1819	42		260		80	
DH(V)300-1548-80-O	1238	88.5	1450	359	450	83.2	5.15
	1548	80		399		85	
	1858	70		427		83	
DH(V)300-1447-67	1158	75	1450	286	355	82.7	5.55
	1447	67		316		83.5	
	1736	57		331		81.5	
DH(V)300-1361-57	1089	64	1450	235	280	81	6.15
	1361	57		255		83	
	1633	50		273		81.5	
DH(V)300-1282-47.5	1026	53	1450	186	220	79.5	6.45
	1282	47.5		204		82	
	1538	41		213		80.8	
DH(V)300-1836-160-O	1469	170	1450	810	1120	84	4.95
	1836	160		941		86	
	2070	151		1011		84.2	
DH(V)300-1735-136	1388	147	1450	662	900	84	4.95
	1735	136		760		84.6	
	2082	125		854		83	
DH(V)300-1623-112	1298	122	1450	521	630	82.8	5
	1623	112		587	710	84.3	
	1948	100		647	82		
DH(V)300-1537-91	1230	100	1450	408	800	82.2	5
	1537	91		454	900	84	
	1845	80		500	80.5		
DH(V)300-1688-139-O	1350	152	1450	679	500	82.3	5.15
	1688	139		765	560	83.5	
	2026	124		840	81.5		
DH(V)300-1573-119	1258	130	1450	544	710	82	4.85
	1573	119		614		83	
	1888	105		667		81	
DH(V)300-1450-99	1160	108	1450	422	560	81	4.35
	1450	99		474		82.5	
	1740	87		512		80.5	
DH(V)300-1342-81	1074	90	1450	328	400	80.3	4.1
	1342	81		361		82	
	1610	71.5		391		80.3	
DH(V)350-1731-32-O	1385	37.5	1450	171	200	83	8.1
	1731	32		175		86.5	
	2077	25		175		81	



性能参数 Performance parameters

型号 Type	流量 Capacity m ³ /h	扬程 Head (m)	转速 Speed (r/min)	功率 Power		效率 Eff. (%)	必需汽 蚀余量 NPSHr (m)
				轴功率 Shaft power (kW)	电机功率 Motor power (kW)		
DH(V)350-1692-26.5	1354	32	1450	146	160	81	8.4
	1692	26.5		144		85	
	2030	20		138		80	
DH(V)350-1641-21	1313	26.5	1450	120	132	78.8	8.7
	1641	21		113		83	
	1969	15		103		78	
DH(V)350-1602-15	1282	20	1450	91	110	76.3	8.9
	1602	15		81		80.5	
	1922	9		64		74	
DH(V)350-1422-31-O	1138	35.5	1450	133	160	83	6.2
	1422	31		140		85.5	
	1706	25.8		144		83.3	
DH(V)350-1335-26.3	1068	30.5	1450	110	132	81	6.2
	1335	26.3		114		84	
	1602	21.3		115		81	
DH(V)350-1270-22.5	1016	25.6	1450	90	110	79	6.7
	1270	22.5		95		82	
	1524	17.5		93		78	
DH(V)350-1188-17.8	950	21.5	1450	74	90	75.5	6.7
	1188	17.8		74		78	
	1397	13.7		71		74	
DH(V)350-2743-43.5-O	2194	49.5	1450	353	400	84	12.2
	2743	43.5		371		87.5	
	3292	35		371		84.7	
DH(V)350-2635-35	2108	41.5	1450	291	315	82	12.5
	2635	35		294		85.5	
	3162	27		281		82.8	
DH(V)350-2563-27.5	2050	33	1450	231	250	80	13.1
	2563	27.5		229		84	
	3076	20		210		80	
DH(V)350-2484-21.5	1987	27	1450	187	200	78	13.7
	2484	21.5		180		81	
	2981	15		160		76.3	
DH(V)350-2232-42.5-O	1786	48	1450	277	315	84.2	9
	2232	42.5		299		86.5	
	2678	35		303		84.2	
DH(V)350-2088-36	1670	42.5	1450	237	250	81.5	9
	2088	36		242		84.5	
	2506	28.8		240		82	
DH(V)350-1987-30	1590	35	1450	193	220	78.5	9.9
	1987	30		198		82	
	2384	23.5		195		78.2	
DH(V)350-1858-25	1486	30	1450	160	200	76	9.9
	1858	25		161		78.5	
	2230	18.5		148		76	
DH(V)350-2610-70-O	2088	80	1450	529	630	86	10
	2610	70		562		88.5	
	3132	60		605		84.7	
DH(V)350-2430-60	1944	68	1450	426	500	84.5	10.7
	2430	60		456		87	
	2916	50		473		84	
DH(V)350-2232-50	1786	57.5	1450	345	400	81	11
	2232	50		353		86	
	2678	40		360		81	
DH(V)350-2070-38	1656	45	1450	267	280	76	11.5
	2070	38		271		79	
	2484	30		264		77	
DH(V)350-2448-67-O	1958	76	1450	466	560	87	9.9
	2448	67		508		88	
	2938	57		531		86	
DH(V)350-2268-59.5	1814	67.5	1450	393	450	85	10.2
	2268	59.5		422		87	
	2722	50		436		85	
DH(V)350-2088-50	1670	58	1450	320	400	82.5	10.4
	2088	50		335		85	
	2506	41.5		344		82.5	
DH(V)350-1944-41.5	1555	47.5	1450	258	280	78	10.7
	1944	41.5		265		83	
	2333	34.5		274		80	



性能参数 Performance parameters

型号 Type	流量 Capacity m ³ /h	扬程 Head (m)	转速 Speed (r/min)	功率 Power		效率 Eff. (%)	必需汽 蚀余量 NPSHr (m)
				轴功率 Shaft power (kW)	电机功率 Motor power (kW)		
DH(V)350-3795-90-O	3036	100	1450	956	1250	86.5	9.9
	3795	90		1046			
	4500	78		1139			
DH(V)350-3543-77.2	2834	88	1450	800	1000	85.1	10.7
	3543	77.2		857			
	4162	66		891			
DH(V)350-3255-64.3	2604	74	1450	648	710	81	11
	3255	64.3		663			
	3906	53		688			
DH(V)350-3020-48.9	2556	56	1450	497	560	78.5	11.5
	3020	48.9		509			
	3623	40.6		517			
DH350-2200-125-O	1320	139	1450	657	1000	76	7
	2200	125		881			
	2640	111		985			
DH350-2100-116	1200	129	1450	552	900	76	6.5
	2100	116		743			
	2500	104		874			
DH350-1900-107	1130	118	1450	478	800	76	5.8
	1900	107		651			
	2350	93		721			
DH350-1830-94	1100	108	1450	426	630	76	5.5
	1830	94		566			
	2300	80		618			
DH350-1700-83	1020	94	1450	343	560	76	5.2
	1700	83		457			
	2150	69		518			
DH400-2630-86-O	1570	98.5	1450	550	800	76.5	7
	2630	86		724			
	3420	70		825			
DH400-2500-79.5	1500	91	1450	489	710	76	6.5
	2500	79.5		637			
	3250	64		717			
DH400-2400-72	1440	83	1450	434	630	75	6
	2400	72		553			
	3120	57		612			
DH400-2305-64	1380	76	1450	381	560	75	5.8
	2305	64		478			
	3000	50		517			
DH400-2210-58	1330	69	1450	333	500	75	5.5
	2210	58		420			
	2880	44		442			
DH400-2200-63.5-O	1320	77	1450	364	500	76	5.6
	2200	63.5		442			
	2860	48		473			
DH400-2100-57	1260	69.5	1450	314	450	76	5.5
	2100	57		383			
	2730	41.5		395			
DH400-1990-49.5	1200	53.6	1450	231	355	76	5.2
	1990	49.5		321			
	2500	37		327			
DH400-1850-43	1110	54	1450	218	315	75	5
	1850	43		261			
	2340	33		277			
DH400-3150-113-O	1890	129.5	1450	877	1250	76	7.5
	3150	113		1127	1400	86	
	4100	93		1250		83	
DH400-3020-103	1800	119	1450	767	1120	76	7
	3020	103		987			
	3920	83		1080			
DH400-2895-92	1740	109	1450	679	1120	76	6.7
	2895	92		847			
	3760	87		1060			
DH400-2760-83	1650	99	1450	577	800	77	6
	2760	83		729			
	3550	64		773			
DH400-2630-72	1580	89	1450	491	710	78	5.7
	2630	72		603			
	3050	61.5		625			



性能参数 Performance parameters

型号 Type	流量 Capacity m ³ /h	扬程 Head (m)	转速 Speed (r/min)	功率 Power		效率 Eff. (%)	必需汽 蚀余量 NPSHr (m)
				轴功率 Shaft power (kW)	电机功率 Motor power (kW)		
DH400-2485-90-O	1500	101.5	1450	545	800	76	6.8
	2485	90		708		86	
	3150	72		792		78	
DH400-2310-82	1440	94	1450	485	710	76	6.5
	2310	82		624		85.8	
	2845	66		696		78	
DH400-2310-74.5	1440	79	1450	409	630	75.8	5.5
	2310	74.5		547		85.7	
	2845	60		596		78	
DH400-2220-67.5	1330	79.8	1450	385	560	75	6.3
	2220	67.5		480		85	
	2700	54		515		77	
DH400-2110-60	1265	70.5	1450	328	500	74	6
	2110	60		405		85	
	2520	49.8		444		77	
DH500-3240-25-O	1945	33	960	239	280	73	5.5
	3240	25		253		87	
	3925	18		241		80	
DH500-3095-23	1855	31	960	217	250	72	4.5
	3095	23		223		87	
	3800	16.5		213		80	
DH500-2975-21	1785	28.5	960	192	220	72	4
	2975	21		196		87	
	3650	14.3		180		79	
DH500-2800-18.5	1680	23.2	960	147	200	72	4
	2800	18.5		162		87	
	3420	13		155		78	
DH500-2670-16.5	1600	24	960	149	160	70	3.6
	2670	16.5		139		86	
	3150	12		134		77	
DH500-2775-22.5-O	1465	31.3	960	176	220	71	4.8
	2775	22.5		197		86	
	3600	14		174		79	
DH500-2638-19.5	1465	27.5	960	155	200	71	4
	2638	19.5		163		86	
	3430	12		142		79	
DH500-2450-15.8	1505	21.8	960	126	160	71	4
	2450	15.8		123		85.5	
	3185	9.3		104		78	
DH500-2280-13.2	1365	17.5	960	94.2	132	69	4
	2280	13.2		97.5		84	
	2965	8		83.9		77	
DH500-3528-41.5-O	1875	52.5	960	372	500	72	6
	3528	41.5		450		88.5	
	4500	30		454		81	
DH500-3340-38.7	1800	50	960	340	450	72	5
	3340	38.7		400		88	
	4210	28.5		398		82	
DH500-3170-36	1710	46.5	960	301	400	72	5
	3170	36		353		88	
	4030	26.5		359		81	
DH500-3020-33.2	1620	42.5	960	260	355	72	4.7
	3020	33.2		312		87.5	
	3830	25		318		82	
DH500-2800-29.8	1530	37.5	960	217	315	72	4.5
	2800	29.8		261		87	
	3600	22		270		80	
DH500-2990-34-O	1800	42	960	267	355	77	5
	2990	34		318		87	
	3885	23		316		77	
DH500-2835-30.2	1700	38	960	231	315	76	4.5
	2835	30.2		271		86	
	3685	21		277		76	
DH500-2730-27.8	1640	33.8	960	201	280	75	4.3
	2730	27.8		240		86	
	3510	18.5		236		75	
DH500-2575-24	1545	20.6	960	167	250	74.5	4
	2575	24		198		85	
	3280	18		216		74.5	



性能参数 Performance parameters

型号 Type	流量 Capacity m ³ /h	扬程 Head (m)	转速 Speed (r/min)	功率 Power		效率 Eff. (%)	必需汽 蚀余量 NPSHr (m)
				轴功率 Shaft power (kW)	电机功率 Motor power (kW)		
DH500-3850-65-O	2270	73	1450	586	900	77	6
	3850	65		770	1000	88.5	
	5040	54		926		80	
DH500-3670-59.5	2200	67.5	1450	525	800	77	5.2
	3670	59.5		675		88	
	4770	48		789		79	
DH500-3420-53	2050	61	1450	448	710	76	5
	3420	53		567		87	
	4350	42.5		645		78	
DH500-3200-47.8	1920	55.7	1450	388	560	75	4.5
	3200	47.8		484		86	
	3960	39		546		77	
DH500-3020-42	1810	50	1450	333	500	74	4.5
	3020	42		406		85	
	3560	35		446		76	
DH500-3005-49-O	1800	60	960	392	560	75	6
	3005	49		461		87	
	3905	35		496		75	
DH500-2800-44.2	1680	53.5	960	331	450	74	5
	2800	44.2		392		86	
	3640	32.5		429		75	
DH500-2640-39.4	1600	47.5	960	284	400	73	4.3
	2640	39.4		333		85	
	3360	29.2		361		74	
DH500-2410-34.5	1450	41.4	960	227	355	72	4
	2410	34.5		269		84	
	3132	26.5		305		74	
DH500-3960-80-O	2580	88.5	960	787	1120	79	7.1
	3960	80		969	1250	89	
	5150	68		1163	82		
DH500-3600-72.8	2160	80	960	603	900	78	6
	3600	72.8		811	1120	88	
	4680	62		975	81		
DH500-3220-65.5	1930	71	960	484	800	77	5
	3220	65.5		660		87	
	4100	57		795		80	
DH500-2850-58	1710	62	960	380	630	76	4.5
	2850	58		523	710	86	
	3600	51.8		643	79		
DH500-3492-62.5-O	2375	70.8	960	572	800	80	5.8
	3492	62.5		675		88	
	4550	48		793		75	
DH500-3330-56	2000	64	960	447	710	78	5
	3330	56		584		87	
	4350	44		695		75	
DH500-3150-50	1900	57	960	383	560	77	4.5
	3150	50		499	630	86	
	4150	39.3		600	74		
DH500-2970-43.6	1780	49	960	312	500	76	4
	2970	43.6		415	560	85	
	3900	36		516	74		
DH500-4230-112-O	2520	124	960	1119	1600	76	7
	4230	112		1449	1800	89	
	5500	95.5		1787	80		
DH500-4000-100	2400	112	960	963	1400	76	6
	4000	100		1237	1600	88	
	5200	86		1541	79		
DH500-3790-90.5	2270	102.5	960	845	1250	75	6
	3790	90.5		1073	1400	87	
	4930	77		1325	78		
DH500-3550-80.5	2150	90	960	712	1120	74	5.5
	3550	80.5		905		86	
	4320	70.5		1077		77	
DH500-3600-90-O	2160	101	960	761	1120	78	5.9
	3600	90		997	1250	88.5	
	4680	73		1163	80		
DH500-3480-83.5	2100	94.7	960	703	1000	77	5
	3480	83.5		899	1120	88	
	4520	68		1059	79		



性能参数 Performance parameters

型号 Type	流量 Capacity m ³ /h	扬程 Head (m)	转速 Speed (r/min)	功率 Power		效率 Eff. (%)	必需汽 蚀余量 NPSHr (m)
				轴功率 Shaft power (kW)	电机功率 Motor power (kW)		
DH500-3200-77.8	1920	88	960	634	900	76	4.5
	3200	77.8		806	1120	88	
	4020	63		943		78	
DH500-3200-71.5	1920	82	960	571	800	75	4.2
	3200	71.5		716	900	87	
	4020	60		853		77	
DH500-3060-66	1840	75	960	508	800	74	4
	3060	66		639		86	
	3780	56		758		76	
DH600-4680-24.2-O	2810	33.3	960	344	400	74	5.9
	4680	24.2		354		87	
	6080	14.3		316		75	
DH600-4430-21.5	2660	33.7	960	334	355	73	5
	4430	21.5		302		86	
	5690	13		272		74	
DH600-4040-17.8	2430	25	960	230	250	72	4.5
	4040	17.8		230		85	
	5220	11		214		73	
DH600-3780-15.5	2270	21.5	960	187	220	71	4.2
	3780	15.5		190		84	
	4850	10		184		72	
DH600-3960-20.3-O	2370	28.3	960	250	315	73	6
	3960	20.3		257		85	
	4900	13.3		240		74	
DH600-3750-18	2250	28.8	960	245	250	72	5.8
	3750	18		219		84	
	4600	11.5		197		73	
DH600-3450-15.5	2070	22.3	960	177	200	71	5
	3450	15.5		175		83	
	4250	10		158		73	
DH600-3150-13	1890	19.3	960	142	160	70	4
	3150	13		136		82	
	4000	8.5		128		72	
DH600-4720-39-O	2830	48	960	493	630	75	7.8
	4720	39		569		88	
	5940	30		599		81	
DH600-4420-34	2650	42	960	404	560	75	6.5
	4420	34		470		87	
	5580	26		494		80	
DH600-4080-29	2450	36	960	324	450	74	6
	4080	29		375		86	
	5040	23.2		398		80	
DH600-3750-24.8	2250	30	960	252	355	73	5
	3750	24.8		298		85	
	4500	20		310		79	
DH600-3690-33-O	2215	40.5	960	326	450	75	6
	3690	33		381		87	
	4680	25		398		80	
DH600-3440-29	2060	35	960	265	355	74	5
	3440	29		316		86	
	4400	22		334		79	
DH600-3170-25	1900	30	960	213	280	73	4.7
	3170	25		254	315	85	
	3980	20		278	78		
DH600-2950-21.5	1770	26	960	174	250	72	4.5
	2950	21.5		206		84	
	3600	18		229		77	
DH600-4630-58.5-O	2780	69	960	653	900	80	6.5
	4630	58.5		828		89	
	6050	43.5		896		80	
DH600-4320-50	2600	60.5	960	542	800	79	5.5
	4320	50		668		88	
	5620	36		697		79	
DH600-4050-43	2430	53	960	449	630	78	5
	4050	43		545		87	
	5220	31		565		78	
DH600-3780-35	2270	45	960	361	500	77	4.5
	3780	35		419		86	
	4680	27		447		77	



性能参数 Performance parameters

型号 Type	流量 Capacity m ³ /h	扬程 Head (m)	转速 Speed (r/min)	功率 Power		效率 Eff. (%)	必需汽 蚀余量 NPSHr (m)
				轴功率 Shaft power (kW)	电机功率 Motor power (kW)		
DH600-3600-54-O	2160	64.5	960	486	710	78	5.2
	3600	54		601		88	
	4680	38		621		78	
DH600-3310-45.8	1990	54.6	960	384	560	77	5
	3310	45.8		474		87	
	4300	33		502		77	
DH600-3130-40.5	1880	48.2	960	325	450	76	5
	3130	40.5		401		86	
	4060	30.5		444		76	
DH600-2900-35	1740	41	960	259	400	75	5
	2900	35		325		85	
	3670	28		373		75	
DH600-5500-87.5-O	3300	105	960	1194	1600	79	8.5
	5500	87.5		1472		89	
	6950	70		1615		82	
DH600-5110-76	3060	93	960	993	1400	78	7
	5110	76		1201		88	
	6480	57		1183		85	
DH600-4680-62	2800	82	960	812	1120	77	6.2
	4680	62		908		87	
	5800	57		1230		86	
DH600-4350-56	2610	70	960	654	900	76	5.8
	4350	56		762		87	
	5040	47		786		82	
DH600-4320-66.2-O	2600	79	960	717	1000	78	6
	4320	66.2		885		88	
	5620	51		979		80	
DH600-4100-58	2460	71.4	960	613	800	78	5.4
	4100	58		744		87	
	5320	42		770		79	
DH600-3820-50	2300	62.8	960	504	710	78	5
	3820	50		598		87	
	4950	48		779		83	
DH600-3460-42.5	2080	55	960	404	560	77	4.5
	3460	42.5		465		86	
	4250	32		469		79	
DH700-6480-30-O	3900	38.8	960	549	710	75	8
	6480	30		608		87	
	8060	22.7		623		80	
DH700-6300-28	3780	35.5	960	487	630	75	7.5
	6300	28		558		86	
	7800	21.2		570		79	
DH700-6050-26	3630	32	960	427	560	74	7
	6050	26		498		86	
	7450	20.9		537		79	
DH700-5870-24	3500	29	960	373	500	74	7
	5870	24		451		85	
	7000	20		489		78	
DH700-4970-23.7-O	2980	35.2	960	376	400	76	6
	4970	23.7		369		87	
	6500	10.2		237		76	
DH700-4750-21.6	2850	36	960	367	400	76	6
	4750	21.6		325		86	
	6150	10.5		232		76	
DH700-4540-20	2750	28	960	276	315	76	5
	4540	20		287		86	
	5900	10.5		222		76	
DH700-4350-18	2610	25	960	234	280	76	4.5
	4350	18		251		85	
	5550	10		199		76	
DH700-6500-44-O	3650	58.5	960	775	1000	75	8
	6500	44		895		87	
	8460	28		827		78	
DH700-6270-40.2	3750	53.8	960	733	900	75	7.7
	6270	40.2		798		86	
	8060	26		731		78	
DH700-5950-37	3570	49.5	960	650	800	74	7.3
	5950	37		697		86	
	7560	25.5		672		78	



性能参数 Performance parameters

型号 Type	流量 Capacity m ³ /h	扬程 Head (m)	转速 Speed (r/min)	功率 Power		效率 Eff. (%)	必需汽 蚀余量 NPSHr (m)
				轴功率 Shaft power (kW)	电机功率 Motor power (kW)		
DH700-5740-34	3450	45	960	571	680	74	7
	5740	34		618		86	
	7100	23.8		590		78	
DH700-5600-39.5-O	3360	51.5	960	637	800	74	7
	5600	39.5		700		86	
	7280	28		711		78	
DH700-5300-35	3180	45.5	960	532	710	74	6.5
	5300	35		594		85	
	6550	26.5		606		78	
DH700-5040-31.5	3020	41	960	455	560	74	6
	5040	31.5		508		85	
	6200	24.5		530		78	
DH700-4630-27.5	2780	35.8	960	371	450	73	6
	4630	27.5		413		84	
	5760	21		428		77	
DH700-7380-80-O	4430	92	960	1387	2000	80	8.8
	7380	80		1806		89	
	9600	60		1912		82	
DH700-6960-68	4180	82.6	960	1175	1600	80	8
	6960	68		1464		88	
	9050	49		1400		81	
DH700-6550-58	3930	71.5	960	968	1400	79	7
	6550	58		1189		87	
	8430	43		1233		80	
DH700-6010-48	3600	60	960	754	1000	78	6.3
	6010	48		913		86	
	7500	36		930		79	
DH700-5400-60-O	3240	72.8	960	834	1120	77	6.8
	5400	60		1002		88	
	6600	46		1020		81	
DH700-4950-53.8	2970	65	960	683	900	77	6
	4950	53.8		833		87	
	5900	42		843		80	
DH700-4400-47	2640	56.6	960	535	710	76	5.5
	4400	47		655		86	
	5260	39		698		80	
DH700-3900-41.5	2340	49	960	416	630	75	5
	3900	41.5		518		85	
	4620	35.5		565		79	
DH800-9000-27-O	5400	37.8	725	751	800	74	7
	9000	27		760		87	
	11000	18.2		681		80	
DH800-8640-24.3	5200	34.5	725	660	710	74	6.3
	8640	24.3		665		86	
	10300	16.5		589		79	
DH800-8280-22.3	4970	31.6	725	578	630	74	6
	8280	22.3		584		86	
	9850	14.8		502		79	
DH800-7850-20	4700	29	725	501	560	74	5.5
	7850	20		497		86	
	9200	14		444		79	
DH800-7270-22.2-O	4360	30.8	725	487	560	75	7.2
	7270	22.2		511		86	
	9150	13		432		75	
DH800-6950-20.6	4170	28.6	725	433	500	75	7
	6950	20.6		459		85	
	8720	12.5		396		75	
DH800-6600-18.5	3960	26	725	379	450	74	6
	6600	18.5		396		84	
	8250	11.4		346		74	
DH800-6260-16.5	3760	23.8	725	334	400	73	6
	6260	16.5		335		84	
	7700	10.5		297		74	
DH800-9000-46-O	5400	56.4	725	1063	1400	78	6.3
	9000	46		1281		88	
	11700	34.5		1391		79	
DH800-8650-42.3	5200	52.2	725	947	1250	78	6
	8650	42.3		1145		87	
	11160	32		1231		79	



性能参数 Performance parameters

型号 Type	流量 Capacity m ³ /h	扬程 Head (m)	转速 Speed (r/min)	功率 Power		效率 Eff. (%)	必需汽 蚀余量 NPSHr (m)
				轴功率 Shaft power (kW)	电机功率 Motor power (kW)		
DH800-8260-38.5	4960	47.5	725	833	1120	77	5.5
	8260	38.5		1007		86	
	10600	30		1096		79	
DH800-7850-35.4	4710	43	725	725	1000	76	5.3
	7850	35.4		880		86	
	10200	26.8		954		78	
DH800-7450-32.2	4470	38.5	725	625	900	75	5
	7450	32.2		768		85	
	9700	24.3		833		77	
DH800-7500-43-O	4500	53	725	854	1120	76	6
	7500	43		1009		87	
	9750	31.3		1093		76	
DH800-7150-39	4300	47.5	725	741	1000	75	5.2
	7150	39		883		86	
	9180	28		933		75	
DH800-6800-34.8	4080	43	725	637	900	75	4.5
	6800	34.8		758		85	
	8850	23.8		765		75	
DH800-6430-30.7	3860	38.5	725	547	710	74	4.2
	6430	30.7		640		84	
	8280	20		601		75	
DH800-6050-26.8	3630	33.5	725	453	630	73	4
	6050	26.8		532		83	
	7860	16.8		486		74	
DH800-9800-62.5-O	5880	75.5	725	1530	2000	79	7.1
	9800	62.5		1873		89	
	11600	51.2		1902		85	
DH800-9300-55	5580	67.5	725	1298	1800	79	6
	9300	55		1565		89	
	11000	45.2		1611		84	
DH800-8890-49.5	5300	61.5	725	1123	1600	79	5.5
	8890	49.5		1361		88	
	10400	41.3		1409		83	
DH800-8500-44.5	5100	55.5	725	988	1400	78	5
	8500	44.5		1184		87	
	9650	38		1203		83	
DH800-8000-52-O	4800	63	725	1029	1400	80	6.8
	8000	52		1272		89	
	10450	39		1337		83	
DH800-7650-47.8	4600	58.3	725	924	1250	79	5
	7650	47.8		1131		88	
	9950	35.3		1166		82	
DH800-7240-43.2	4350	53.2	725	797	1250	79	5
	7240	43.2		968		88	
	9500	30.5		998		79	
DH800-6840-39	4100	48	725	687	1000	78	4.5
	6840	39		835		87	
	8820	28		862		78	
DH800-6400-35	3840	44	725	597	800	77	4
	6400	35		709		86	
	8250	25		729		77	



如蒙洽询请指示下列各项：

For further details, please fulfill the chart below:

客户 Customer _____ 承办人员 Undertaker _____
 工程名称 Name of project _____ 工程地点 Address of project _____
 电话 Telephone _____ 传真 Fax _____
 订购机型 Type _____ 订购数量 Quantity _____

性能参数 Performance parameters	介质名称 Medium name		* 介质温度(°C) Medium temperature		
	* 流量(m ³ /h) Capacity		* 扬程(m) Head		
	* 进口压力(MPa) Inlet pressure				
	轴封型式 Seal form	<input type="checkbox"/> 机械密封 (标准配置) Mechanical seal(standard) <input type="checkbox"/> 其他 Other _____			
	主要部件材质 Major parts' material	泵体 Pump body	<input type="checkbox"/> HT250 标准配置 Standard	<input type="checkbox"/> 其他 Other	
		叶轮 Impeller	<input type="checkbox"/> HT250 标准配置 Standard	<input type="checkbox"/> 其他 Other	
		轴 Shaft	<input type="checkbox"/> 2Cr13 标准配置 Standard	<input type="checkbox"/> 其他 Other	
	泵安装型式 Installation type	<input type="checkbox"/> 从传动端看泵方向为顺时针方向旋转(标准配置) Clockwise rotation looking from motor to pump body(standard). <input type="checkbox"/> 从传动端看泵方向为逆时针方向旋转 Anti-clock wise rotation looking from motor to pump body.			
	电源 Power	电压(V) Voltage		频率(Hz) Frequency	
	电机 Moter	型号 Type		功率(kW) Power	
防护等级 IP code			绝缘要求 Class of insulation		
其他要求 Other requirement					
备注 Notes	1. 出厂标准配置不含地脚螺栓和吸入、吐出锥管。 The foundation bolt and discharge cone are not in the ex-factory standard layout. 2. 以上资料请尽可能填写完整, 以便于选择最佳机型, 项目前加注“*”者, 请务必填写。 Please fill in the parameter lists as complete as possible. The item with "*" must be filled.				



欢迎索取以下产品型录



泵系列

潜水泵系列 | 陆上泵系列 | 特种泵系列



搅拌推流系列

搅拌机系列 | 推流器系列



供氧曝气系列

曝气机系列 | 曝气盘系列 | 曝气管系列



风机系列

三叶罗茨鼓风机系列 | 增压罗茨鼓风机 | 沉水式风机 | 空气悬浮离心鼓风机



污泥处理设备

带式脱水机 | 厢式压滤机 | 非金属矩形刮泥机 | 浅层高效气浮设备



智能化系列

EP6 物联监控管理系统 | 空气质量管理系统 | RS-485 传感器



反应器及套装设备

芬顿反应系统 | MBR生物膜反应器 | 预制泵站 | 一体化污水处理设备



耗材药剂及相关设备

生物绳 | PAC 聚合氯化铝 | PAM 聚丙烯酰胺 | 泡药设备



环保设备和技术服务的专业伙伴

免费咨询电话

400-657-9066

本型录内容如有变更，恕不另行通知。
We reserve the right to change content without notice.

川源(中国)机械有限公司版权所有 all rights reserved. CY-K9

