



川源(中国)机械有限公司
GSD (China) Co., Ltd.



CP

沉水式污物(泥)泵

CP submersible solid handling pump



CP 沉水式污物(泥)泵

CP submersible solid handling pump

用途

- 废水扬升站
- 都市污水处理厂
- 一楼化粪池排水系统
- 农畜牧业废水处理系统
- 医院、学校、社区等生活废水处理系统
- 食品、造纸、采矿、纺织、皮革、化学工厂等工业之水处理系统
- 净水处理系统

特点

- **电动机**
鼠笼式感应电动机，F级绝缘，防护等级IP68。
- **不阻塞叶轮**
采用无堵塞理论设计的叶轮，流道宽大，水流畅通，污物容易通过，效率高。
所有叶轮均经动、静平衡校正，能够减少振动和噪音，运转平稳，寿命长。
- **机械密封**
机械密封的作用是阻绝抽送介质与电动机部分接触，双机械密封串联相互独立工作，为电动机提供双重保护。
- **自动着脱装置（选用配备）**
使泵浦安装、保养、修护迅速容易，毋须先清除桶槽污水。
- **测漏检知器**
在油室内加装测漏检知器，可检测因密封不良或机械密封损坏造成之洩漏（<15kW选用配备，≥15kW标准配备）。
大功率水泵在接线盒和电机腔内加装测漏检知器，可对接线盒和电机腔内的洩漏发出报警信号，使控制系统对泵实施保护（非标准配备，≥132kW可选配）。
- **过热保护器**
在电动机中加装过热保护器，对过载、温升等状况自动进行检测，避免由于电动机过热造成电机烧毁（<15kW选用配备，≥15kW标准配备）。
在轴承中加装过热保护器，当轴承温度升至断开温度时，保护器自动切断电源，起到保护轴承的作用（非标准配备，≥18.5kW可选配）。
- **水冷夹套（选用配备）**
泵工作时利用泵腔内压力使液体连续进入水冷夹套与电动机外壳的空间以带走电动机产生的热量，从而保证水泵在低水位正常工作（≥18.5kW可选配）。

Application

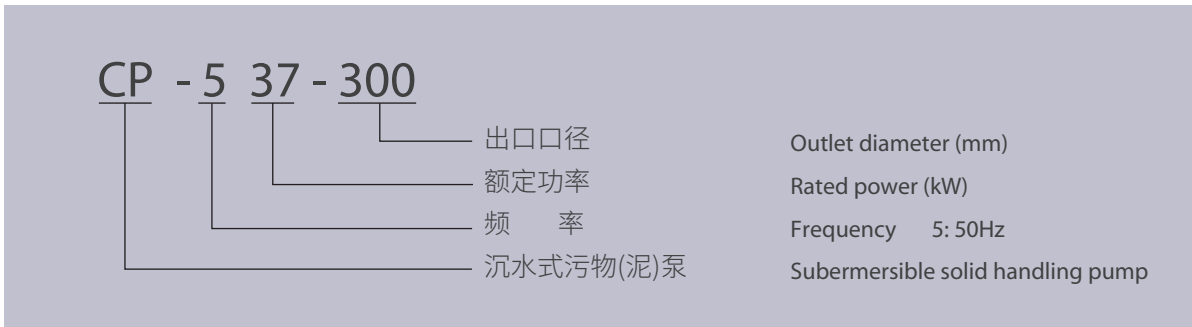
- Wastewater lift station.
- Municipal wastewater treatment plant.
- Building wastewater treatment system.
- Livestock animal husbandry wastewater treatment system.
- Hospital, school, community, etc. wastewater treatment system.
- Food, paper, mining, textile, leather, chemical industry, etc. wastewater treatment system.
- Water purification system.

Features

- **Motor**
Squirrel-cage, induction motors are F class insulation, motor protection grade is IP68.
- **Non-clog impeller**
Well statically & dynamically balanced Non-Clog impeller is designed to allow sizable spherical solids to pass the flow passage easily without clogging. It adopts rigorous technics so that vibration and noise can be farthest reduced.
- **Mechanical seal**
The mechanical seals protect the motor from contacting the pumping liquids. Two seals are in series with each other and individually work to provide the motor with a dual protection.
- **Auto-setter (options)**
To allow pump for easy installation, maintenance & reparation, as it is no need to empty the tank first.
- **Leakage detector**
Built-in leakage detector in the oil chamber can detect leakage from the damage of the mechanical seal. (Less than 15 kW options, No less than 15kW standard).
Built-in leakage detector in the wiring box and motor cavity of large power pumps can check if a leakage in it. The leakage detector offers pump an automatic protection (Not standard, No less than 132 kW options).
- **Heat-protector**
Built-in heat protector in motor, can prevent the motor from burning out, overload & overheating. (Less than 15 kW options, No less than 15 kW standard).
Built-in heat protector in bearing, when the bearing is abnormal and the temperature rises to disconnecting temperature, the protector automatically cut off power supply to protect the bearing. (Not standard, no less than 18.5 kW options).
- **Cooling house (options)**
Pumps make use of inner pressure of pump cavity to make liquid continually entering in space between cooling house and motor outer, to take away the heat of the motor. to make sure the regular work of the pump in low water level (No less than 18.5 kW options).

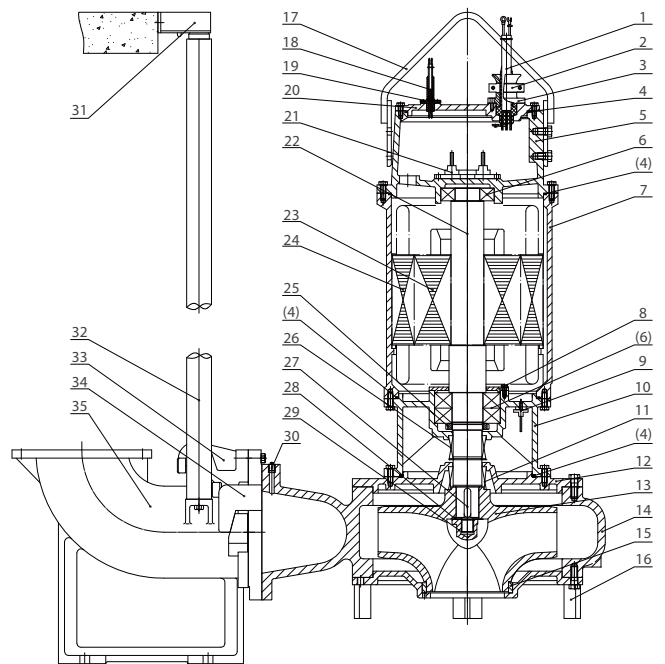


型号说明 Type description



结构简图 Construction

| NO. | 名称 Name | 材质 Material | |
|-----|------------------------------|----------------|----------|
| | | GB | JIS |
| 1 | 动力电缆 Power cable | NBR | NBR |
| 2 | 电缆压盖 Cable cover | HT200 | FC200 |
| 3 | 电缆固定套 Cable fixing sleeve | HT200 | FC200 |
| 4 | O型圈 O-ring | NBR | NBR |
| 5 | 接线盒 Junction box | HT200 | FC200 |
| 6 | 轴承 Bearing | - | - |
| 7 | 马达本体 Motor casing | HT200 | FC200 |
| 8 | 轴承压盖 Bearing cover | HT200 | FC200 |
| 9 | 漏水检知器 Leakage detector | - | - |
| 10 | 中承座 Bracket | HT200 | FC200 |
| 11 | 机械密封 Mechanical seal | SiC-SiC | SiC-SiC |
| 12 | 油箱盖 Oil cover | HT200 | FC200 |
| 13 | 叶轮 Impeller | HT200 | FC200 |
| 14 | 泵体 Pump casing | HT200 | FC200 |
| 15 | 密封环 Seal-ring | ZCuSn10Pb5 | LBC2 |
| 16 | 泵体底盖 Bottom cover | HT200 | FC200 |
| 17 | 提升架 Lifting frame | 06Cr19Ni10 | SUS304 |
| 18 | 控制电缆 Control cable | NBR | NBR |
| 19 | 电缆压盖 Cable cover | 06Cr19Ni10 | SUS304 |
| 20 | 马达盖 Motor cover | HT200 | FC200 |
| 21 | 接线盒 Terminal block | HT200 | FC200 |
| 22 | 主轴 Shaft | 20Cr13 | SUS420J1 |
| 23 | 转子 Rotor | - | - |
| 24 | 定子 Stator | - | - |
| 25 | 圆螺母 Round nut | 45 | S45C |
| 26 | 机械密封 Mechanical seal | C-Al203 | C-Al203 |
| 27 | 键 Key | 20Cr13 | SUS420J1 |
| 28 | 垫圈 Washer | 20Cr13 | SUS420J1 |
| 29 | 螺母 Nut | 06Cr19Ni10 | SUS304 |
| 30 | 排气阀 Exhaust valve | - | - |
| 31 | 固定架 Fixed frame | Q235A | SS400 |
| 32 | 引导管 Pail piping | 06Cr19Ni10 | SUS304 |
| 33 | 引导板 Slide | HT200 | FC200 |
| 34 | 配合凸缘 Flange setter | HT200 | FC200 |
| 35 | 着脱本体 Duckfoot | HT200 | FC200 |



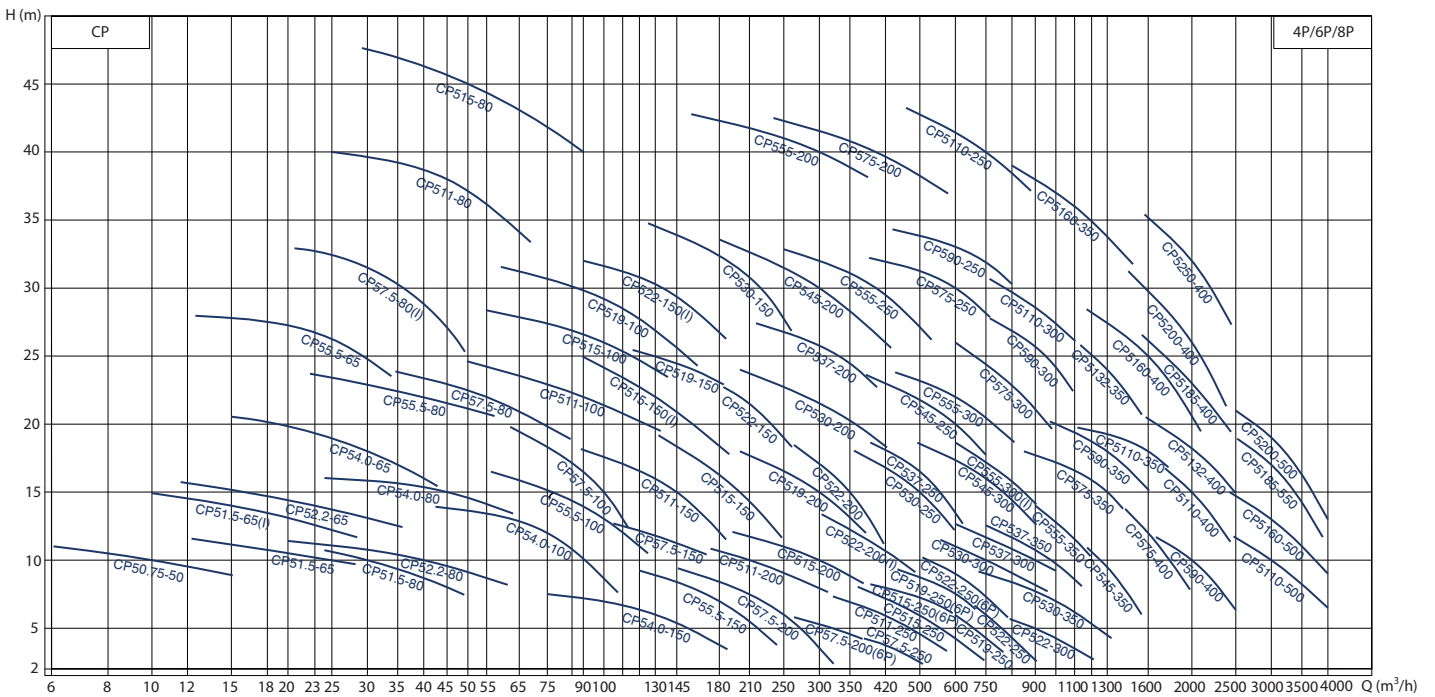
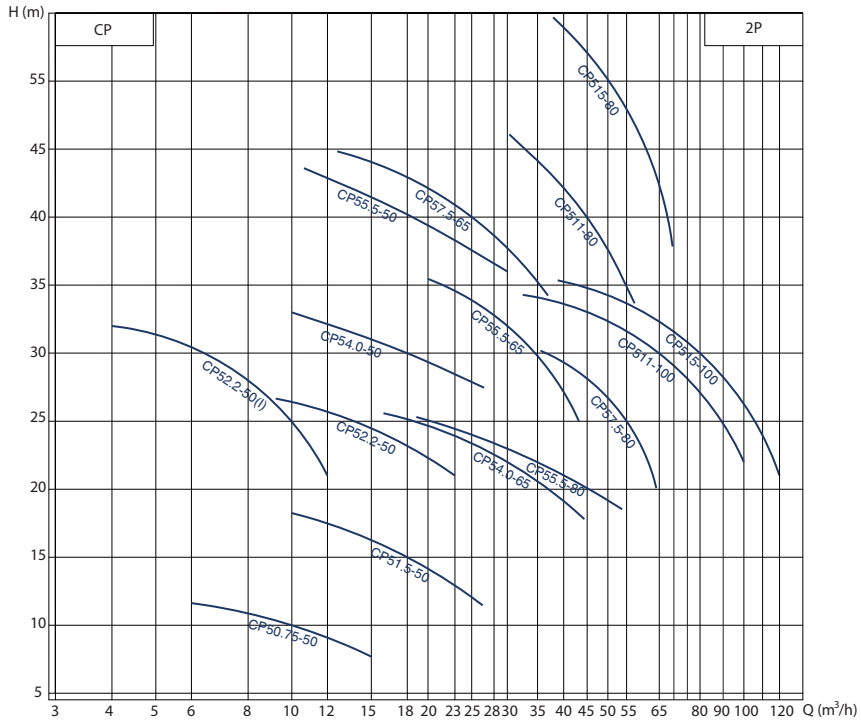
不同机型结构略有不同，可根据需求采用不同材质。

Different model has a little difference,

Materials can be selected according to the requirement of the customer.



型谱图 Performance chart



性能参数 Performance parameters

(2P)

| 泵型号 Pump model | 行业型号 Pump model | 转速 Speed (r/min) | 流量 Capacity (m ³ /h) | 扬程 Head (m) | 效率 Eff. η (%) | 电机功率 Motor power (kw) | 口径 Dia. (mm) | 泵重量 Weight (kg) |
|-------------------|--------------------|------------------------|---------------------------------------|-------------------|--------------------------|-----------------------------|--------------------|-----------------------|
| CP50.75-50 | 50QW10-10-0.75 | 2840 | 10 | 10 | 48 | 0.75 | 50 | 22.5 |
| CP51.5-50 | 50QW18-15-1.5 | 2840 | 18 | 15 | 60 | 1.5 | 50 | 28 |
| CP52.2-50(I) | 50QW8-28-2.2 | 2840 | 8 | 28 | 45 | 2.2 | 50 | 37 |
| CP52.2-50 | 50QW15-24.5-2.2 | 2840 | 15 | 24.5 | 56 | 2.2 | 50 | 36 |
| CP54.0-50 | 50QW18-30-4 | 2840 | 18 | 30 | 50 | 4 | 50 | 56 |
| CP55.5-50 | 50QW18-40-5.5 | 2860 | 18 | 40 | 50 | 5.5 | 50 | 68 |
| CP54.0-65 | 65QW30-22-4 | 2840 | 30 | 22 | 62 | 4 | 65 | 54 |
| CP55.5-65 | 65QW30-32-5.5 | 2860 | 30 | 32 | 58 | 5.5 | 65 | 68 |
| CP57.5-65 | 65QW25-40-7.5 | 2860 | 25 | 40 | 55 | 7.5 | 65 | 114 |
| CP55.5-80 | 80QW35-22-5.5 | 2860 | 35 | 22 | 55 | 5.5 | 80 | 66 |
| CP57.5-80 | 80QW55-25-7.5 | 2860 | 55 | 25 | 56 | 7.5 | 80 | 100 |
| CP511-80 | 80QW45-40-11 | 2860 | 45 | 40 | 60 | 11 | 80 | 192 |
| CP515-80 | 80QW50-50-15 | 2860 | 50 | 50 | 55 | 15 | 80 | 206 |
| CP511-100 | 100QW65-30-11 | 2860 | 65 | 30 | 60 | 11 | 100 | 184 |
| CP515-100 | 100QW80-30-15 | 2860 | 80 | 30 | 65 | 15 | 100 | 200 |

(4P/6P/8P)

| 泵型号 Pump model | 行业型号 Pump model | 转速 Speed (r/min) | 流量 Capacity (m ³ /h) | 扬程 Head (m) | 效率 Eff. η (%) | 电机功率 Motor power (kw) | 口径 Dia. (mm) | 泵重量 Weight (kg) |
|-------------------|--------------------|------------------------|---------------------------------------|-------------------|--------------------------|-----------------------------|--------------------|-----------------------|
| CP50.75-50 | 50QW10-10-0.75 | 1450 | 10 | 10 | 50 | 0.75 | 50 | 35 |
| CP51.5-65(I) | 65QW18-13.5-1.5 | 1450 | 18 | 13.5 | 50 | 1.5 | 65 | 51 |
| CP51.5-65 | 65QW25-10-1.5 | 1450 | 25 | 10 | 60 | 1.5 | 65 | 48 |
| CP52.2-65 | 65QW23-14-2.2 | 1450 | 23 | 14 | 50 | 2.2 | 65 | 60 |
| CP54.0-65 | 65QW30-18-4 | 1450 | 30 | 18 | 55 | 4 | 65 | 77 |
| CP55.5-65 | 65QW26-26-5.5 | 1450 | 26 | 26 | 51 | 5.5 | 65 | 117 |
| CP51.5-80 | 80QW30-10-1.5 | 1450 | 30 | 10 | 60 | 1.5 | 80 | 48 |
| CP52.2-80 | 80QW40-10-2.2 | 1450 | 40 | 10 | 55 | 2.2 | 80 | 57 |
| CP54.0-80 | 80QW45-15-4 | 1450 | 45 | 15 | 57 | 4 | 80 | 81 |
| CP55.5-80 | 80QW40-22-5.5 | 1450 | 40 | 22 | 55 | 5.5 | 80 | 121 |
| CP57.5-80(I) | 80QW36-30-7.5 | 1450 | 36 | 30 | 53 | 7.5 | 80 | 121 |
| CP57.5-80 | 80QW55-22-7.5 | 1450 | 55 | 22 | 62 | 7.5 | 80 | 134 |
| CP511-80 | 80QW45-38-11 | 1450 | 45 | 38 | 56 | 11 | 80 | 300 |
| CP515-80 | 80QW50-45-15 | 1450 | 50 | 45 | 55 | 15 | 80 | 324 |
| CP54.0-100 | 100QW75-12-4 | 1450 | 75 | 12 | 70 | 4 | 100 | 81 |
| CP55.5-100 | 100QW95-13.5-5.5 | 1450 | 95 | 13.5 | 73 | 5.5 | 100 | 116 |
| CP57.5-100 | 100QW100-15-7.5 | 1450 | 100 | 15 | 65 | 7.5 | 100 | 134 |
| CP511-100 | 100QW90-22-11 | 1450 | 90 | 22 | 62 | 11 | 100 | 238 |
| CP515-100 | 100QW100-26-15 | 1450 | 100 | 26 | 65 | 15 | 100 | 265 |
| CP519-100 | 100QW110-28.5-18.5 | 1450 | 110 | 28.5 | 63 | 18.5 | 100 | 315 |
| CP54.0-150 | 150QW130-6-4 | 1450 | 130 | 6 | 66 | 4 | 150 | 100 |
| CP55.5-150 | 150QW180-7-5.5 | 1450 | 180 | 7 | 73 | 5.5 | 150 | 122 |
| CP57.5-150 | 150QW120-12-7.5 | 1450 | 120 | 12 | 70 | 7.5 | 150 | 132 |
| CP511-150 | 150QW145-15-11 | 1450 | 145 | 15 | 65 | 11 | 150 | 257 |
| CP515-150(I) | 150QW130-22-15 | 1450 | 130 | 22 | 65 | 15 | 150 | 262 |
| CP515-150 | 150QW200-15-15 | 1450 | 200 | 15 | 74 | 15 | 150 | 265 |
| CP519-150 | 150QW170-23.5-18.5 | 1450 | 170 | 23.5 | 73 | 18.5 | 150 | 348 |
| CP522-150(I) | 150QW135-30-22 | 1450 | 135 | 30 | 69 | 22 | 150 | 346 |
| CP522-150 | 150QW200-22-22 | 1450 | 200 | 22 | 71 | 22 | 150 | 359 |
| CP530-150 | 150QW220-30-30 | 1450 | 220 | 30 | 75 | 30 | 150 | 445 |
| CP57.5-200 | 200QW250-6-7.5 | 1450 | 250 | 6 | 67 | 7.5 | 200 | 148 |
| CP57.5-200 | 200QW350-4.5-7.5 | 980 | 350 | 4.5 | 70 | 7.5 | 200 | 260 |
| CP511-200 | 200QW210-10-11 | 1450 | 210 | 10 | 65 | 11 | 200 | 289 |
| CP515-200 | 200QW300-10-15 | 1450 | 300 | 10 | 68 | 15 | 200 | 301 |



性能参数 Performance parameters

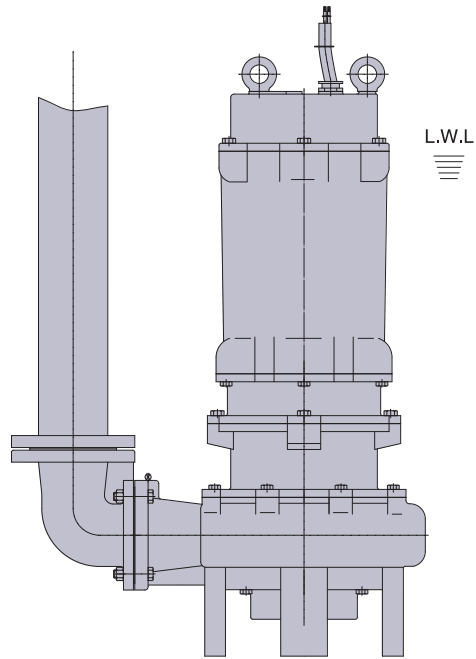
(4P/6P/8P)

| 泵型号 Pump model | 行业型号 Pump model | 转速 Speed (r/min) | 流量 Capacity (m ³ /h) | 扬程 Head (m) | 效率 Eff. η (%) | 电机功率 Motor power (kw) | 口径 Dia. (mm) | 泵重量 Weight (kg) |
|-------------------|--------------------|------------------------|---------------------------------------|-------------------|---------------------|-----------------------------|--------------------|-----------------------|
| CP519-200 | 200QW300-15-18.5 | 1450 | 300 | 15 | 75 | 18.5 | 200 | 450 |
| CP522-200(I) | 200QW450-10-22 | 1450 | 450 | 10 | 68 | 22 | 200 | 445 |
| CP522-200 | 200QW350-15-22 | 1450 | 350 | 15 | 72 | 22 | 200 | 452 |
| CP530-200 | 200QW360-20-30 | 980 | 360 | 20 | 76 | 30 | 200 | 631 |
| CP537-200 | 200QW350-24.5-37 | 980 | 350 | 24.5 | 75 | 37 | 200 | 735 |
| CP545-200 | 200QW300-30-45 | 980 | 300 | 30 | 68 | 45 | 200 | 1120 |
| CP555-200 | 200QW300-40-55 | 980 | 300 | 40 | 70 | 55 | 200 | 1015 |
| CP575-200 | 200QW400-40-75 | 980 | 400 | 40 | 70 | 75 | 200 | 1650 |
| CP57.5-250 | 250QW400-4-7.5 | 980 | 400 | 4 | 62 | 7.5 | 250 | 300 |
| CP511-250 | 250QW400-6-11 | 980 | 400 | 6 | 69 | 11 | 250 | 380 |
| CP515-250 | 250QW500-6-15 | 1450 | 500 | 6 | 71 | 15 | 250 | 365 |
| CP515-250 | 250QW600-6-15 | 980 | 600 | 6 | 78 | 15 | 250 | 400 |
| CP519-250 | 250QW600-6-18.5 | 1450 | 600 | 6 | 71 | 18.5 | 250 | 400 |
| CP519-250 | 250QW600-7-18.5 | 980 | 600 | 7.5 | 75 | 18.5 | 250 | 480 |
| CP522-250 | 250QW700-6-22 | 1450 | 700 | 6 | 73 | 22 | 250 | 415 |
| CP522-250 | 250QW600-9-22 | 980 | 600 | 9 | 75 | 22 | 250 | 500 |
| CP530-250 | 250QW500-15-30 | 980 | 500 | 15 | 75 | 30 | 250 | 700 |
| CP537-250 | 250QW500-16.5-37 | 980 | 500 | 16.5 | 77 | 37 | 250 | 810 |
| CP545-250 | 250QW600-20-45 | 980 | 600 | 20 | 78 | 45 | 250 | 930 |
| CP555-250 | 250QW400-30-55 | 980 | 400 | 30 | 72 | 55 | 250 | 1090 |
| CP575-250 | 250QW600-30-75 | 980 | 600 | 30 | 76 | 75 | 250 | 1350 |
| CP590-250 | 250QW600-38-90 | 990 | 600 | 38 | 76 | 90 | 250 | 2000 |
| CP5110-250 | 250QW700-40-110 | 990 | 700 | 40 | 78 | 110 | 250 | 1650 |
| CP522-300 | 300QW900-5-22 | 980 | 900 | 5 | 70 | 22 | 300 | 650 |
| CP530-300 | 300QW700-10-30 | 980 | 700 | 10 | 70 | 30 | 300 | 715 |
| CP537-300 | 300QW900-10-37 | 980 | 900 | 10 | 75 | 37 | 300 | 820 |
| CP545-300 | 300QW700-16-45 | 980 | 700 | 16 | 78 | 45 | 300 | 1090 |
| CP555-300(I) | 300QW850-15-55 | 980 | 850 | 15 | 78 | 55 | 300 | 1050 |
| CP555-300 | 300QW600-22-55 | 980 | 600 | 22 | 75 | 55 | 300 | 1160 |
| CP575-300 | 300QW850-22-75 | 980 | 850 | 22 | 78 | 75 | 300 | 1420 |
| CP590-300 | 300QW950-25-90 | 990 | 950 | 25 | 79 | 90 | 300 | 1800 |
| CP5110-300 | 300QW950-28-110 | 990 | 950 | 28 | 80 | 110 | 300 | 2200 |
| CP530-350 | 350QW1000-7-30 | 980 | 1000 | 7 | 75 | 30 | 350 | 760 |
| CP537-350 | 350QW1000-9.5-37 | 980 | 1000 | 9.5 | 75 | 37 | 350 | 850 |
| CP545-350 | 350QW1300-9.5-45 | 980 | 1300 | 9.5 | 78 | 45 | 350 | 1000 |
| CP555-350 | 350QW1100-11.5-55 | 980 | 1100 | 11.5 | 75 | 55 | 350 | 1180 |
| CP575-350 | 350QW1300-15-75 | 980 | 1300 | 15 | 78 | 75 | 350 | 1400 |
| CP590-350 | 350QW1300-18-90 | 990 | 1300 | 18 | 78 | 90 | 350 | 1470 |
| CP5110-350 | 350QW1600-18-110 | 990 | 1600 | 18 | 79 | 110 | 350 | 2300 |
| CP5132-350 | 350QW1300-24-132 | 740 | 1300 | 24 | 75 | 132 | 350 | 2300 |
| CP5160-350 | 350QW1100-36-160 | 740 | 1100 | 36 | 75 | 160 | 350 | 2880 |
| CP575-400 | 400QW1600-12-75 | 980 | 1600 | 12 | 80 | 75 | 400 | 1436 |
| CP590-400 | 400QW2000-10-90 | 990 | 2000 | 10 | 75 | 90 | 400 | 1250 |
| CP5110-400 | 400QW2000-15-110 | 990 | 2000 | 15 | 79 | 110 | 400 | 2350 |
| CP5132-400 | 400QW2200-17-132 | 740 | 2200 | 17 | 81 | 132 | 400 | 2520 |
| CP5160-400 | 400QW1600-25-160 | 740 | 1600 | 25 | 76 | 160 | 400 | 2880 |
| CP5185-400 | 400QW2000-23-185 | 740 | 2000 | 23 | 81 | 185 | 400 | 3200 |
| CP5200-400 | 400QW2000-26-200 | 740 | 2000 | 26 | 80 | 200 | 400 | 3850 |
| CP5250-400 | 400QW2000-32-250 | 740 | 2000 | 32 | 80 | 250 | 400 | 4690 |
| CP5110-500 | 500QW3000-10-110 | 990 | 3000 | 10 | 80 | 110 | 500 | 2200 |
| CP5160-500 | 500Q3000-13-160 | 740 | 3000 | 13 | 80 | 160 | 500 | 2950 |
| CP5185-500 | 450QW3000-17-185 | 740 | 3000 | 17 | 80 | 185 | 500 | 3250 |
| CP5200-500 | 450QW3000-19-200 | 740 | 3000 | 19 | 80 | 200 | 500 | 4200 |

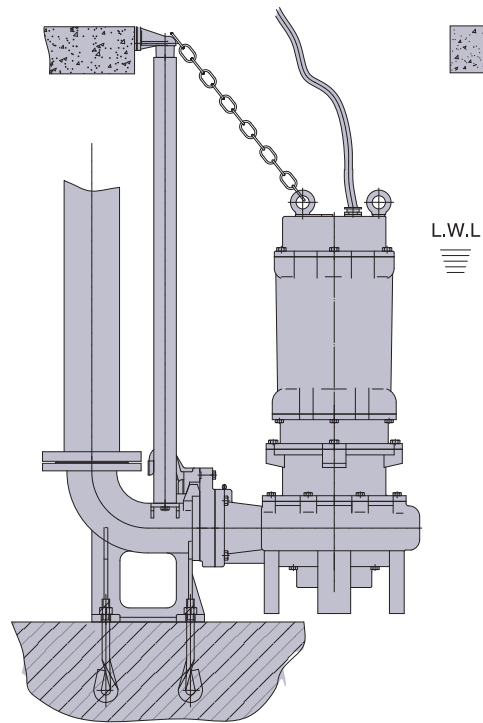


安装示意图 Installation sketch map









未附着脱
without autosetter



附着脱
with autosetter



欢迎索取以下产品型录

| | | |
|---|------------------|---|
|  | 泵系列 | 潜水泵系列 陆上泵系列 特种泵系列 |
|  | 搅拌推流系列 | 搅拌机系列 推流器系列 |
|  | 供氧曝气系列 | 曝气机系列 曝气盘系列 曝气管系列 |
|  | 风机系列 | 三叶罗茨鼓风机系列 增压罗茨鼓风机 沉水式风机 空气悬浮离心鼓风机 |
|  | 污泥处理设备 | 带式脱水机 厢式压滤机 非金属矩形刮泥机 浅层高效气浮设备 |
|  | 智能化系列 | EP6 物联监控管理系统 空气质量管理系统 RS-485 传感器 |
|  | 反应器及套装设备 | 芬顿反应系统 MBR生物膜反应器 预制泵站 一体化污水处理设备 |
|  | 耗材药剂及相关设备 | 生物绳 PAC 聚合氯化铝 PAM 聚丙烯酰胺 泡药设备 |



环保设备和技术服务的专业伙伴

免费咨询电话

400-657-9066

本型录内容如有变更，恕不另行通知。
We reserve the right to change content without notice.

川源(中国)机械有限公司版权所有 all rights reserved. CY-K5

